

## EXPLODED VIEW & PARTS LIST



Outdoor unit

BRS09HPJ132OA

BRS09HPL132OA

BRS12HPJ132OA

BRS12HPL132OA

BRS18HPJ132OA

BRS24HPJ132OA

BRS30HPJ132OA

BRS36HPJ132OA



Indoor unit

BRS09HPJ132IA

BRS09HPL132IA

BRS12HPJ132IA

BRS12HPL132IA

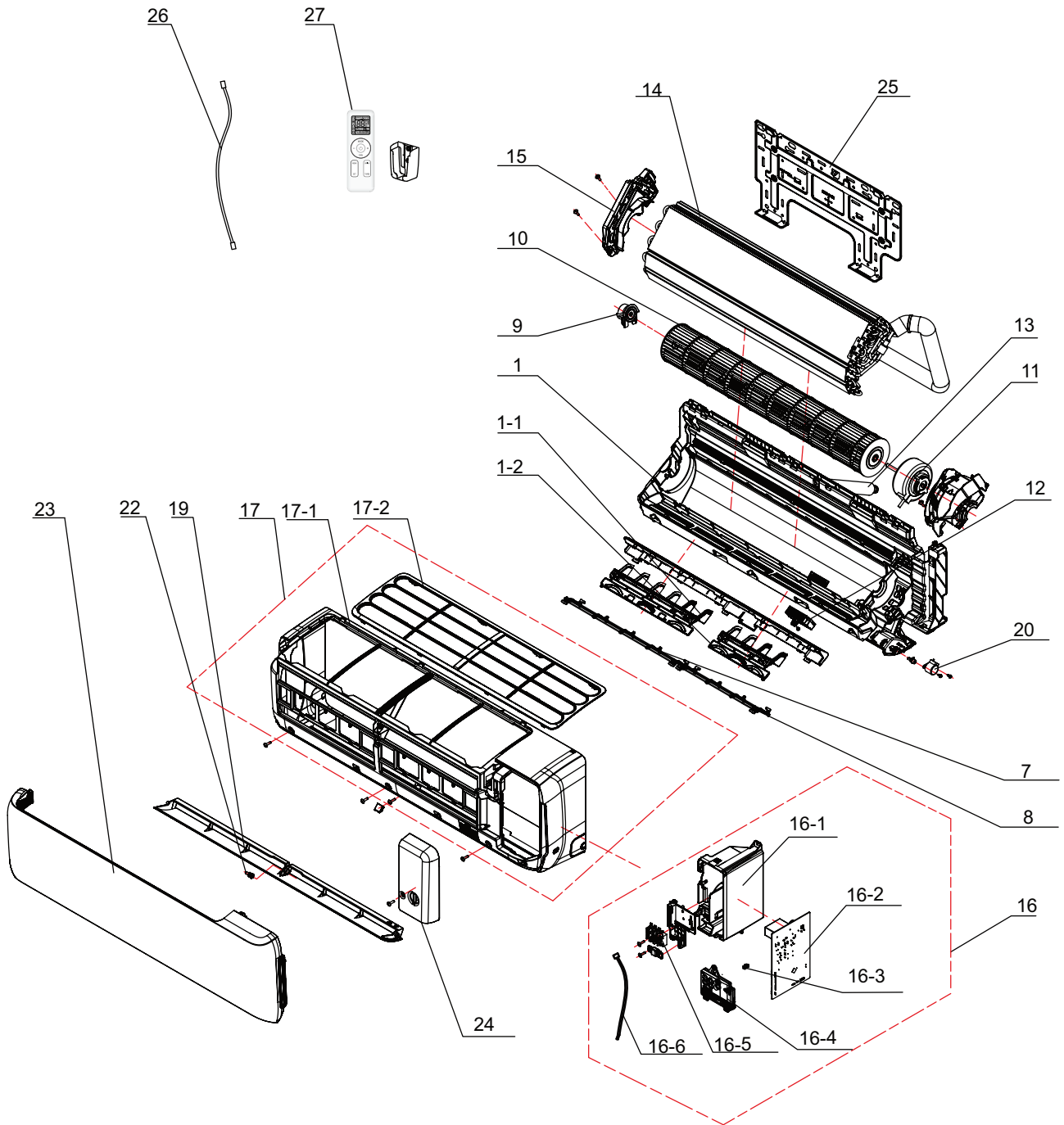
BRS18HPJ132IA

BRS24HPJ132IA

BRS30HP132IA

BRS36HPJ132IA

# BRS09HPJ132IA



The component picture is only for reference; please refer to the actual product.



## BRS09HPJ132IA

No.	Part Description	Qty	
1	Rear Case Sub-Assy	1	00037706008901
2	Air Louver(Left)	1	200007060111
3	Air Louver(Right)	1	200007060110
4	Swing Lever	1	200035060044
5	Air Louver (Auto)	1	200007060117
6	Stepping Motor	1	1521210704
7	Rear Grill Sub-assy	1	209168000016
8	Rear Grill Sub-assy	1	209168000016
9	Axile Bush Sub-assy	1	10542047
10	Cross Flow Fan	1	103001060038
11	Fan Motor	1	15010106028201
13	Drainage Hose	1	05230014
14	Evaporator Assy	1	01100106240507
15	Evaporator Support	1	200025060027
16	Electric Box Assy	1	100002082204
16-1	Electric Box	1	200013060124
16-2	Main Board	1	300002064054
16-3	Jumper	1	4202021905
16-4	Display Board	1	300001061554
16-5	Terminal Board	1	422000000022
16-6	Temperature Sensor	1	3900031302
17	Front Case Assy	1	000002060324
17-1	Front Case	1	200002060087
17-4	Filter Sub-Assy	1	111001060341
19	Guide Louver	1	200004060197
20	Stepping Motor	1	1521210712
22	Axile Bush	1	10542036
23	Front Panel	1	200003060306T
24	Electric Box Cover	1	200082060091
25	Wall Mounting Frame	1	012043000008
27	Remote Controller	1	305001060236
29	R32 Refrigerant Sensor	1	34002406001601

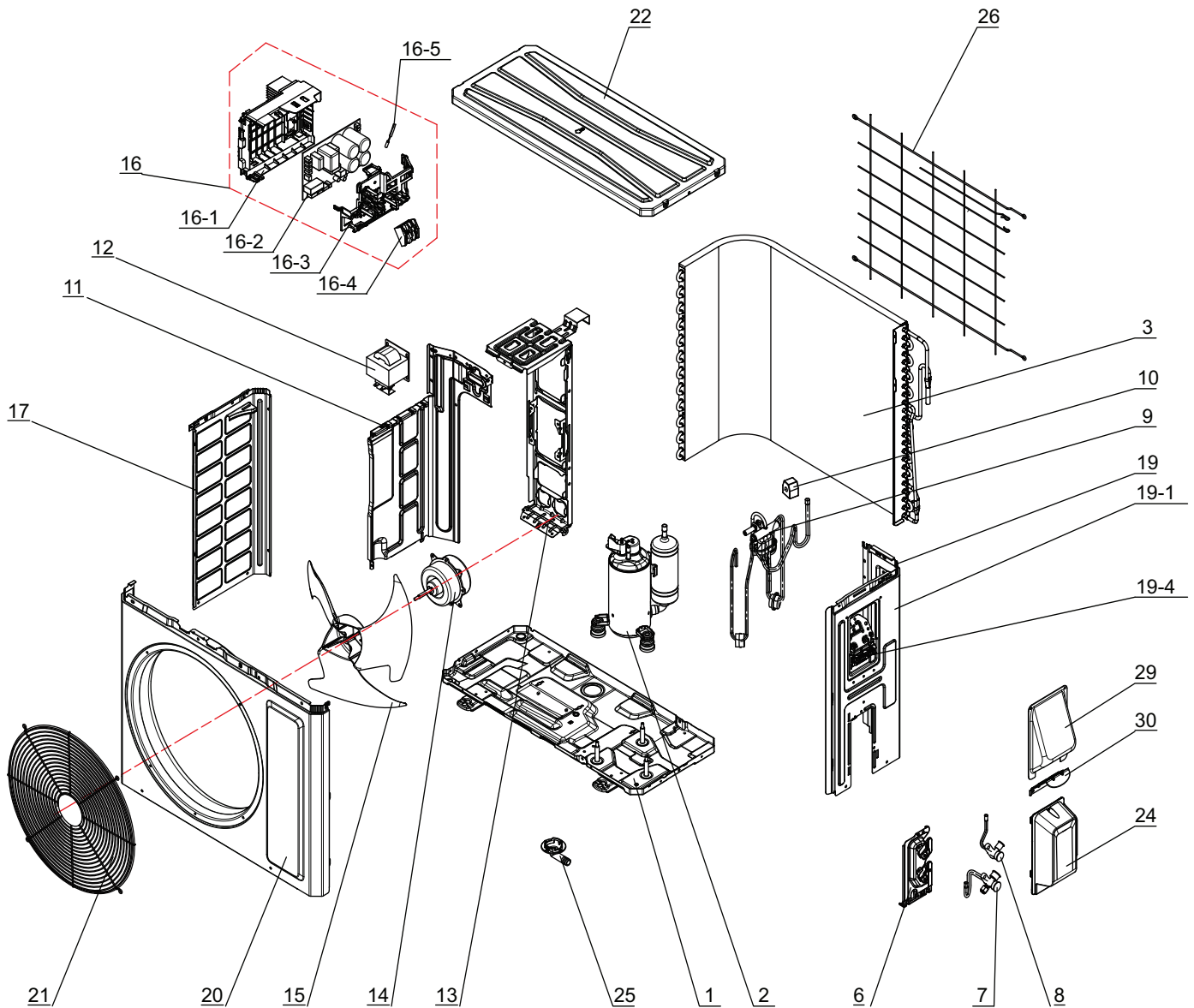
**BOREALHEATPUMPS.COM**



[Back to main page](#)

CAT No. 01242025

# BRS09HPJ1320A



The component picture is only for reference; please refer to the actual product.

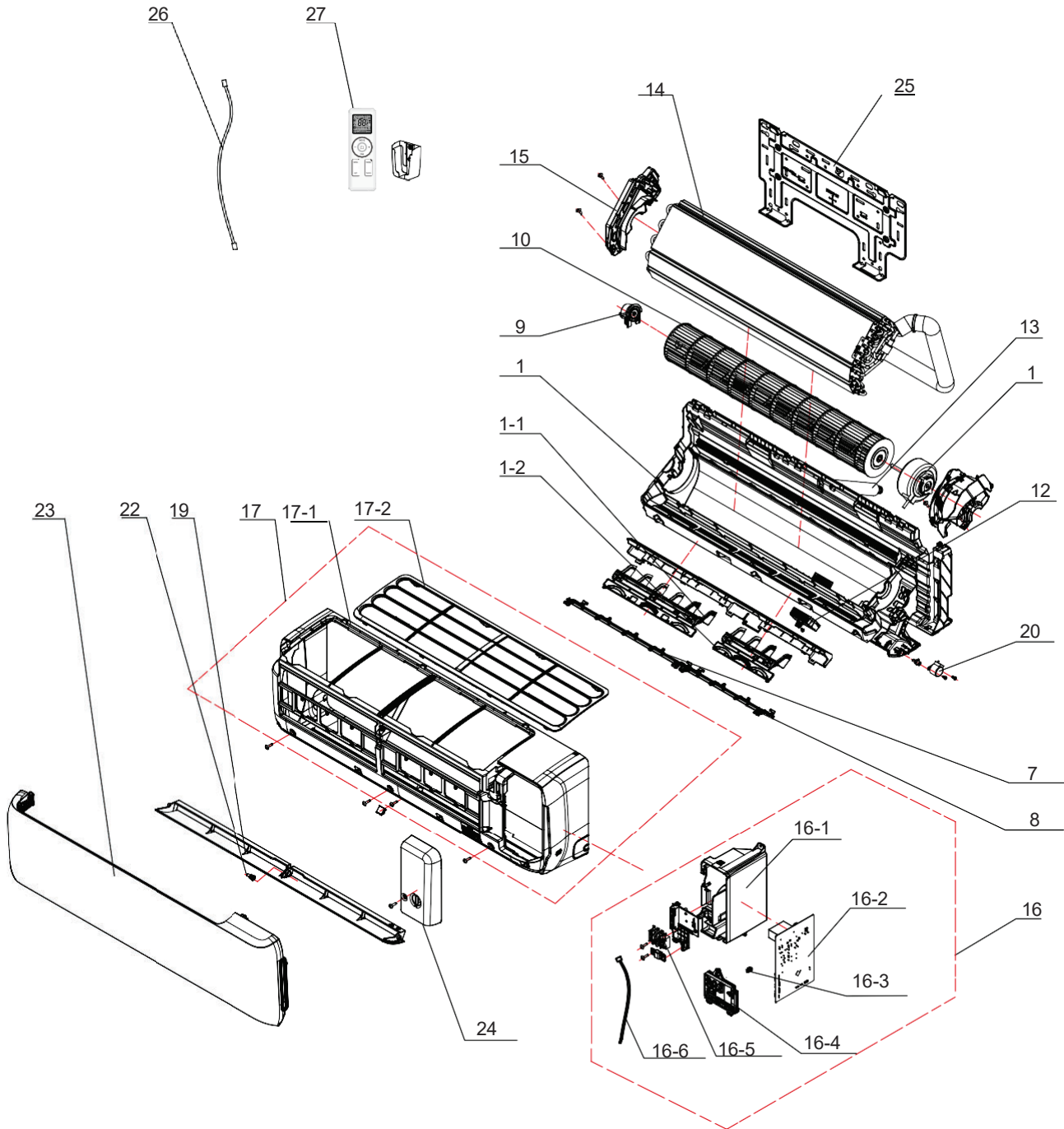


**BRS09HPJ1320A**

<b>No.</b>	<b>Part Description</b>	<b>Qty</b>	
1	Chassis Sub-assy	1	017000060724P
2	Compressor and Fittings	1	009001061064
3	Condenser Assy	1	01100206267001
6	Valve Support	1	012044060022P
7	Cut-off valve 3/8(N)	1	070001060029
8	Cut-off valve 1/4(N)	1	070001060022
9	4-Way Valve Assy	1	030152061510
11	Clapboard	1	012051060895
13	Motor Support	1	012048060149
15	Axial Flow Fan	1	10333428
16	Electric Box Assy	1	100002082176
16-1	Electric Box	1	200013060073
16-2	Main Board	1	300027063840
16-3	Electric Box Cover	1	20008206005801
16-4	Terminal Board	1	42200006007501
16-5	Temperature Sensor	1	390001060069
17	Left Side Plate	1	012055060397P
19-1	Right Side Plate	1	01205606038406P
19-4	Wire Clamp	1	200015060025
20	Cabinet	1	01202206001202P
21	Front Grill	1	016004060016
22	Top Cover Assy	1	000097060345
24	Valve Cover	1	200087060004
25	Drainage Joint	1	26113009
26	Rear Grill	1	016001060095
29	Cable Cross Plate	1	01220906002802P
30	Cable Cross Plate	1	012209060027P



# BRS09HPL132IA



The component picture is only for reference; please refer to the actual product.



## BRS09HPL132IA

No.	Part Description	Qty	Part No.
1	Rear Case Sub-Assy	1	00037706008901
1-1	Air Louver (Left)	1	200007060111
1-2	Air Louver (Right)	1	200007060110
NS	Swing Lever	1	200035060044
NS	Air Louver (Auto)	1	200007060117
NS	Stepping Motor	1	1521210704
7	Rear Grill Sub-Assy	1	209168000016
9	Axile Bush Sub-Assy	1	10542047
10	Cross Flow Fan	1	103001060038
11	Fan Motor	1	1501208911
13	Drainage Hose	1	05230014
14	Evaporator Assy	1	01100106240507
15	Evaporator Support	1	200025060027
16	Electric Box Assy	1	100002082169
16-1	Electric Box	1	200013060124
16-2	Main Board	1	300002064055
16-3	Jumper	1	4202021905
16-4	Display Board	1	300001061554
16-5	Terminal Board	1	422000000022
16-6	Temperature Sensor	1	3900031302
17	Front Case Assy	1	000002060324
17-1	Front Case	1	200002060087
17-4	Filter Sub-Assy	1	111001060341
19	Guide Louver	1	200004060197
20	Stepping Motor	1	1521210712
22	Axile Bush	1	10542036
23	Front Panel	1	200003060306T
24	Electric Box Cover	1	200082060091
25	Wall Mounting Frame	1	012043000008
27	Remote Controller	1	305001060236

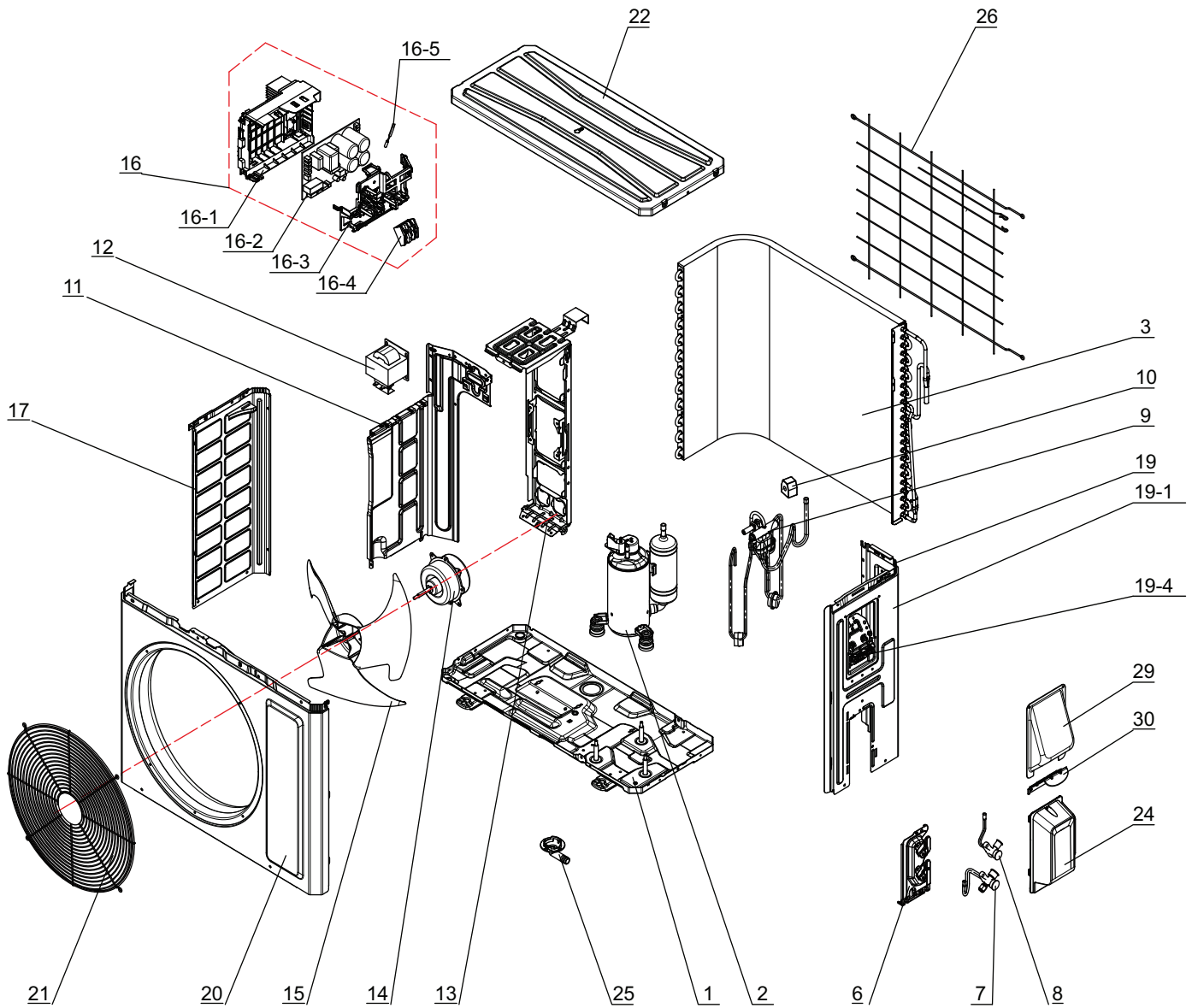
BOREALHEATPUMPS.COM



[Back to main page](#)

CAT No. 01242025

# BRS09HPL1320A



The component picture is only for reference; please refer to the actual product.





## BRS09HPL1320A

No.	Part Description	Qty.	Part No.
1	Chassis Sub-Assy	1	017000060724P
2	Compressor and Fittings	1	009001061064
3	Condenser Assy	1	01100206267001
6	Valve Support	1	012044060022P
7	Cut-off valve 3/8(N)	1	070001060029
8	Cut-off valve 1/4(N)	1	070001060022
9	4-Way Valve Assy	1	030152061510
10	Magnet Coil	1	4300307301
11	Clapboard	1	012051060895
12	Reactor	1	450004060021
13	Motor Support	1	012048060149
15	Axial Flow Fan	1	10333428
16	Electric Box Assy	1	100002082171
16-1	Electric Box	1	200013060073
16-2	Main Board	1	300027063838
16-3	Electric Box Cover	1	20008206005801
16-4	Terminal Board	1	422000060075
16-5	Temperature Sensor	1	390001060069
17	Left Side Plate	1	012055060397P
19-1	Right Side Plate	1	01205606038406P
19-4	Wire Clamp	1	200015060021
20	Cabinet	1	01202206001202P
21	Front Grill	1	016004060016
22	Top Cover Assy	1	000097060345
24	Valve Cover	1	200087060004
25	Drainage Joint	1	26113009
26	Rear Grill	1	016001060095
29	Cable Cross Plate	1	01220906002802P
30	Cable Cross Plate	1	012209060027P

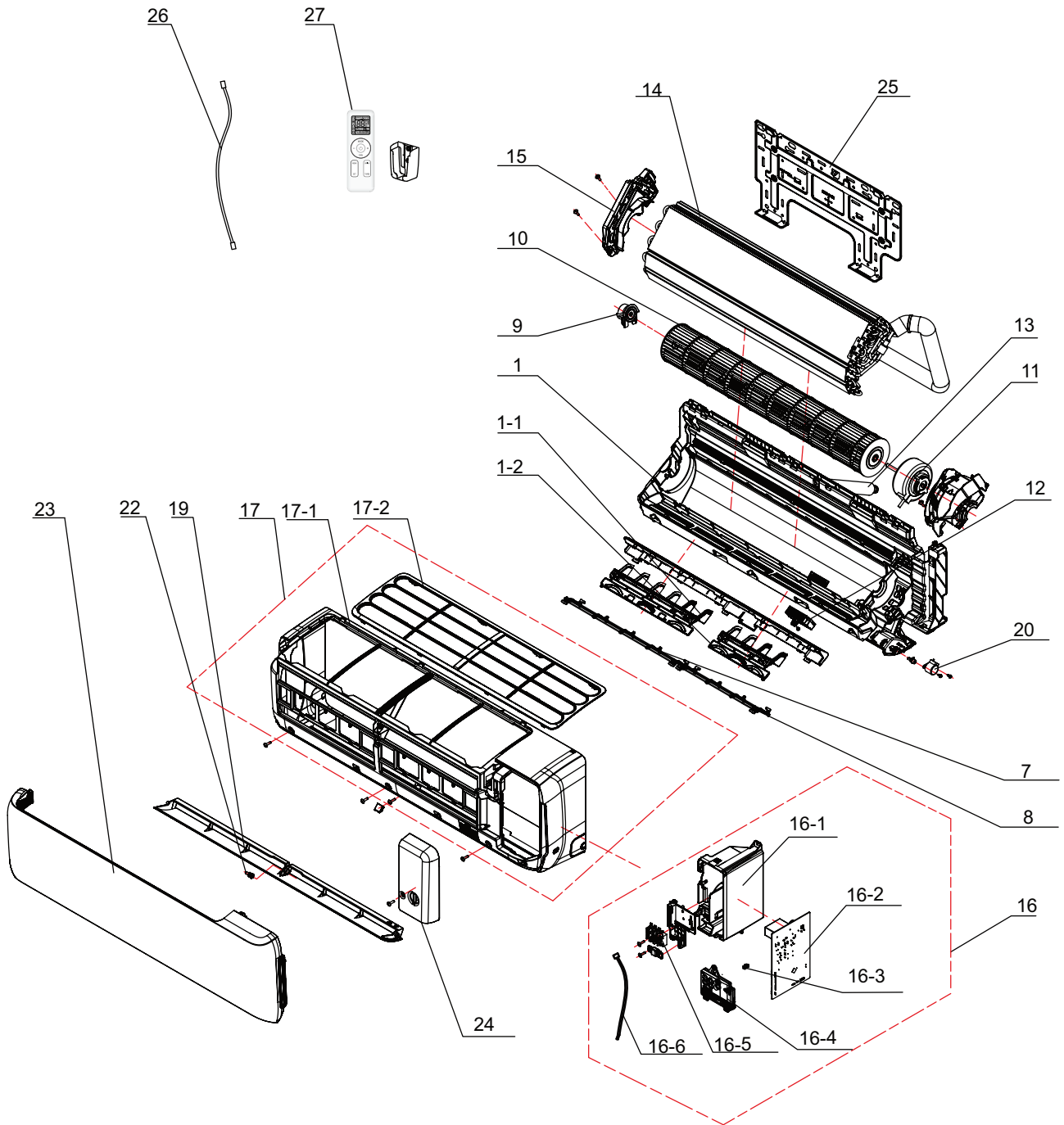
**BOREALHEATPUMPS.COM**



[Back to main page](#)

CAT No. 01242025

# BRS12HPJ132IA



The component picture is only for reference; please refer to the actual product.



## BRS12HPJ132IA

No.	Part Description	Qty	
1	Rear Case Sub-Assy	1	00037706008901
2	Air Louver(Left)	1	200007060111
3	Air Louver(Right)	1	200007060110
4	Swing Lever	1	200035060044
5	Air Louver (Auto)	1	200007060117
6	Stepping Motor	1	1521210704
7	Rear Grill Sub-assy	1	209168000016
8	Rear Grill Sub-assy	1	209168000016
9	Axile Bush Sub-assy	1	10542047
10	Cross Flow Fan	1	103001060038
11	Fan Motor	1	15010406011702
13	Drainage Hose	1	05230014
14	Evaporator Assy	1	01100106240507
15	Evaporator Support	1	200025060027
16	Electric Box Assy	1	100002082382
16-1	Electric Box	1	200013060124
16-2	Main Board	1	300002064066
16-3	Jumper	1	4202021907
16-4	Display Board	1	300001061554
16-5	Terminal Board	1	422000000022
16-6	Temperature Sensor	1	3900031302
17	Front Case Assy	1	000002060324
17-1	Front Case	1	200002060087
17-4	Filter Sub-Assy	1	111001060341
19	Guide Louver	1	200004060197
20	Stepping Motor	1	1521210712
22	Axile Bush	1	10542036
23	Front Panel	1	200003060306T
24	Electric Box Cover	1	200082060091
25	Wall Mounting Frame	1	012043000008
27	Remote Controller	1	305001060236
29	R32 Refrigerant Sensor	1	34002406001601

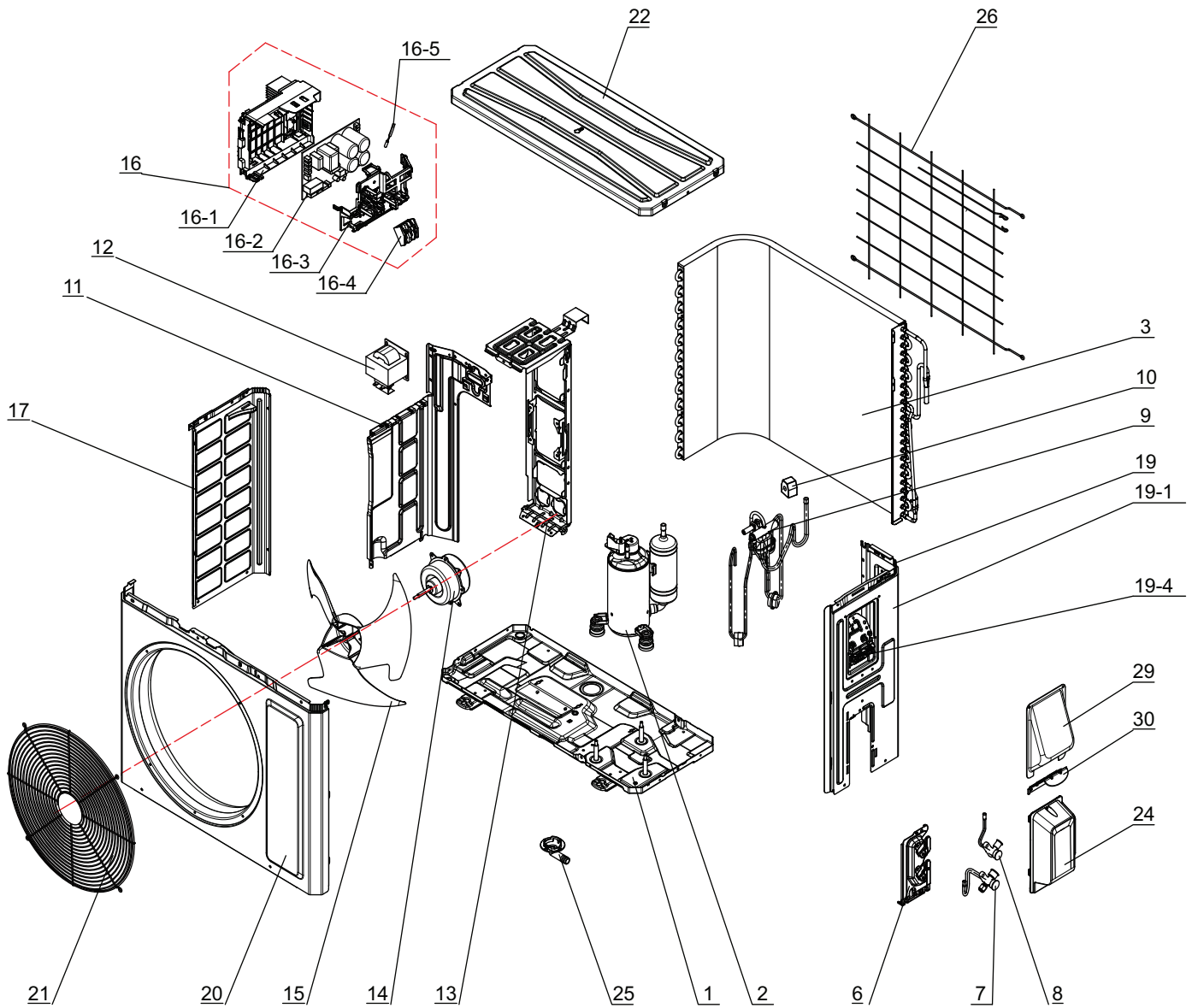
**BOREALHEATPUMPS.COM**



[Back to main page](#)

CAT No. 01242025

# BRS12HPJ1320A



The component picture is only for reference; please refer to the actual product.



## BRS12HPJ132OA

No.	Part Description	Qty	Part No.
1	Chassis Sub-assy	1	017000060724P
2	Compressor and Fittings	1	009001060648
3	Condenser Assy	1	011002062531
6	Valve Support	1	012044060022P
7	Cut-off valve 3/8(N)	1	070001060029
8	Cut-off valve 1/4(N)	1	070001060022
9	4-Way Valve Assy	1	030152061280
11	Clapboard	1	012051060895
13	Motor Support	1	012048060149
15	Axial Flow Fan	1	10333428
16	Electric Box Assy	1	100002082381
16-1	Electric Box	1	200013060073
16-2	Main Board	1	300027063752
16-3	Electric Box Cover	1	20008206005801
16-4	Terminal Board	1	42200006007501
16-5	Temperature Sensor	1	390001060069
17	Left Side Plate	1	012055060397P
19-1	Right Side Plate	1	01205606038406P
19-4	Wire Clamp	1	200015060025
20	Cabinet	1	01202206001202P
21	Front Grill	1	016004060016
22	Top Cover Assy	1	000097060345
24	Valve Cover	1	20008706000403
25	Drainage Joint	1	26113009
26	Rear Grill	1	016001060095
29	Cable Cross Plate	1	01220906002802P
30	Cable Cross Plate	1	012209060027P

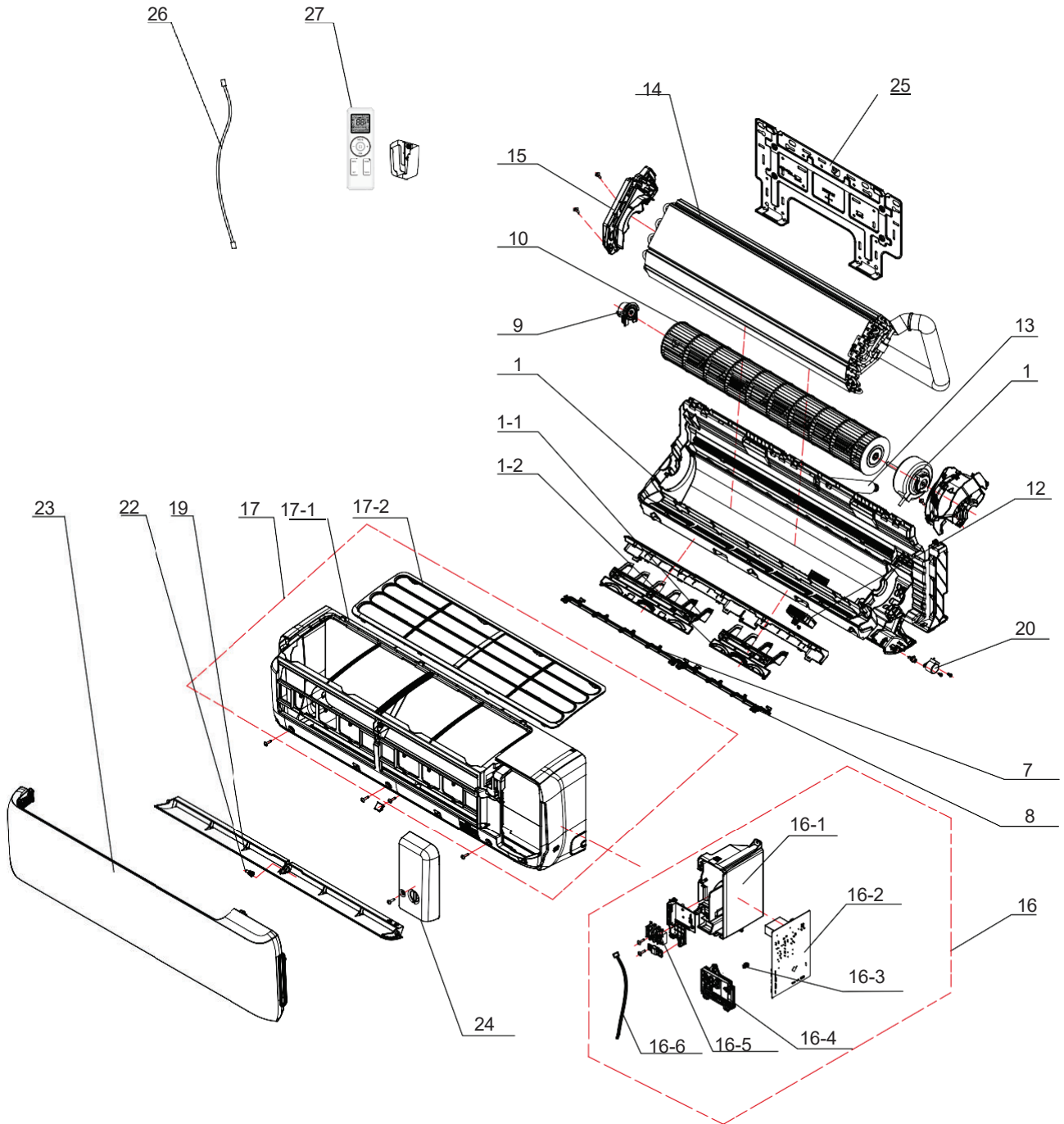
**BOREALHEATPUMPS.COM**



[Back to main page](#)

CAT No. 01242025

# BRS12HPL132IA



The component picture is only for reference; please refer to the actual product.

[BOREALHEATPUMPS.COM](http://BOREALHEATPUMPS.COM)



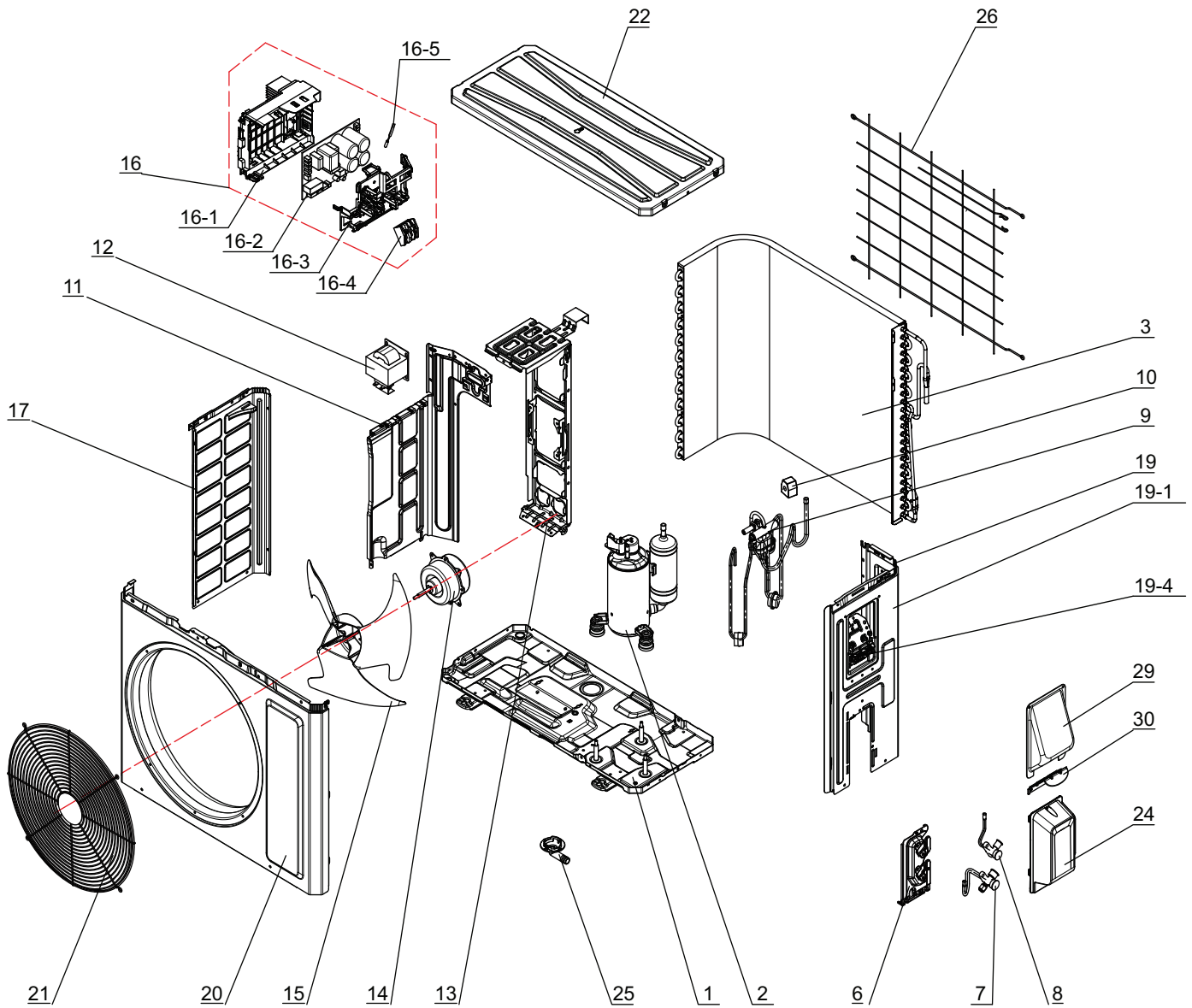
[Back to main page](#)

## BRS12HPL132IA

	Part Description	Qty	Part No.
1	Rear Case Sub-Assy	1	00037706008901
2	Air Louver (Left)	1	200007060111
3	Air Louver (Right)	1	200007060110
4	Swing Lever	1	200035060044
5	Air Louver (Auto)	1	200007060117
6	Stepping Motor	1	1521210704
7	Rear Grill Sub-Assy	1	209168000016
8	Rear Grill Sub-Assy	1	209168000016
9	Axile Bush Sub-Assy	1	10542047
10	Cross Flow Fan	1	103001060038
11	Fan Motor	1	150104060157
13	Drainage Hose	1	05230014
14	Evaporator Assy	1	01100106240507
15	Evaporator Support	1	200025060027
16	Electric Box Assy	1	100002082382
16-1	Electric Box	1	200013060124
16-2	Main Board	1	300002064066
16-3	Jumper	1	4202021907
16-4	Display Board	1	300001061554
16-5	Terminal Board	1	422000000022
16-6	Temperature Sensor	1	3900031302
17	Front Case Assy	1	000002060324
17-1	Front Case	1	200002060087
17-4	Filter Sub-Assy	1	111001060341
19	Guide Louver	1	200004060197
20	Stepping Motor	1	1521210712
22	Axile Bush	1	10542036
23	Front Panel	1	200003060306T
24	Electric Box Cover	1	200082060091
25	Wall Mounting Frame	1	012043000008
27	Remote Controller	1	305001060236



# BRS12HPL1320A



The component picture is only for reference; please refer to the actual product.

[BOREALHEATPUMPS.COM](http://BOREALHEATPUMPS.COM)



[Back to main page](#)



## BRS12HPL132OA

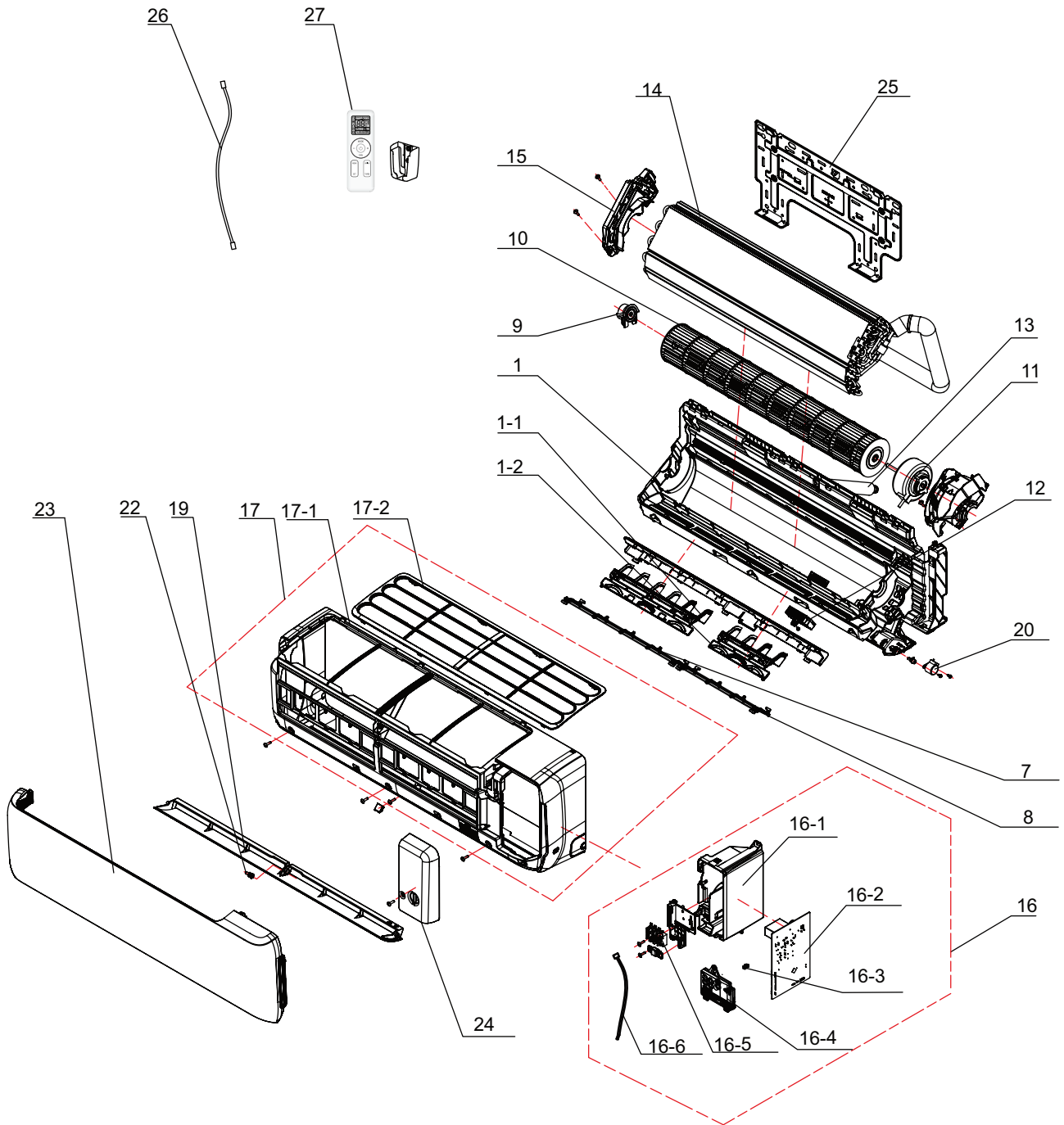
No.	Part Description	Qty	Part No.
1	Chassis Sub-Assy	1	017000060724P
2	Compressor and Fittings	1	009001060648
3	Condenser Assy	1	011002062531
6	Valve Support	1	012044060022P
7	Cut-off valve 3/8(N)	1	070001060029
8	Cut-off valve 1/4(N)	1	070001060022
9	4-Way Valve Assy	1	030152061280
10	Magnet Coil	1	4300307301
11	Clapboard	1	012051060895
12	Reactor	1	450004060021
13	Motor Support	1	012048060149
15	Axial Flow Fan	1	10333428
16	Electric Box Assy	1	100002082383
16-1	Electric Box	1	200013060073
16-2	Main Board	1	300027063738
16-3	Electric Box Cover	1	20008206005801
16-4	Terminal Board	1	422000060075
16-5	Temperature Sensor	1	390001060069
17	Left Side Plate	1	012055060397P
19-1	Right Side Plate	1	01205606038406P
19-4	Wire Clamp	1	200015060021
20	Cabinet	1	01202206001202P
21	Front Grill	1	016004060016
22	Top Cover Assy	1	000097060345
24	Valve Cover	1	20008706000403
25	Drainage Joint	1	26113009
26	Rear Grill	1	016001060095
29	Cable Cross Plate	1	01220906002802P
30	Cable Cross Plate	1	012209060027P

**BOREALHEATPUMPS.COM**



[Back to main page](#)

# BRS18HPJ132IA



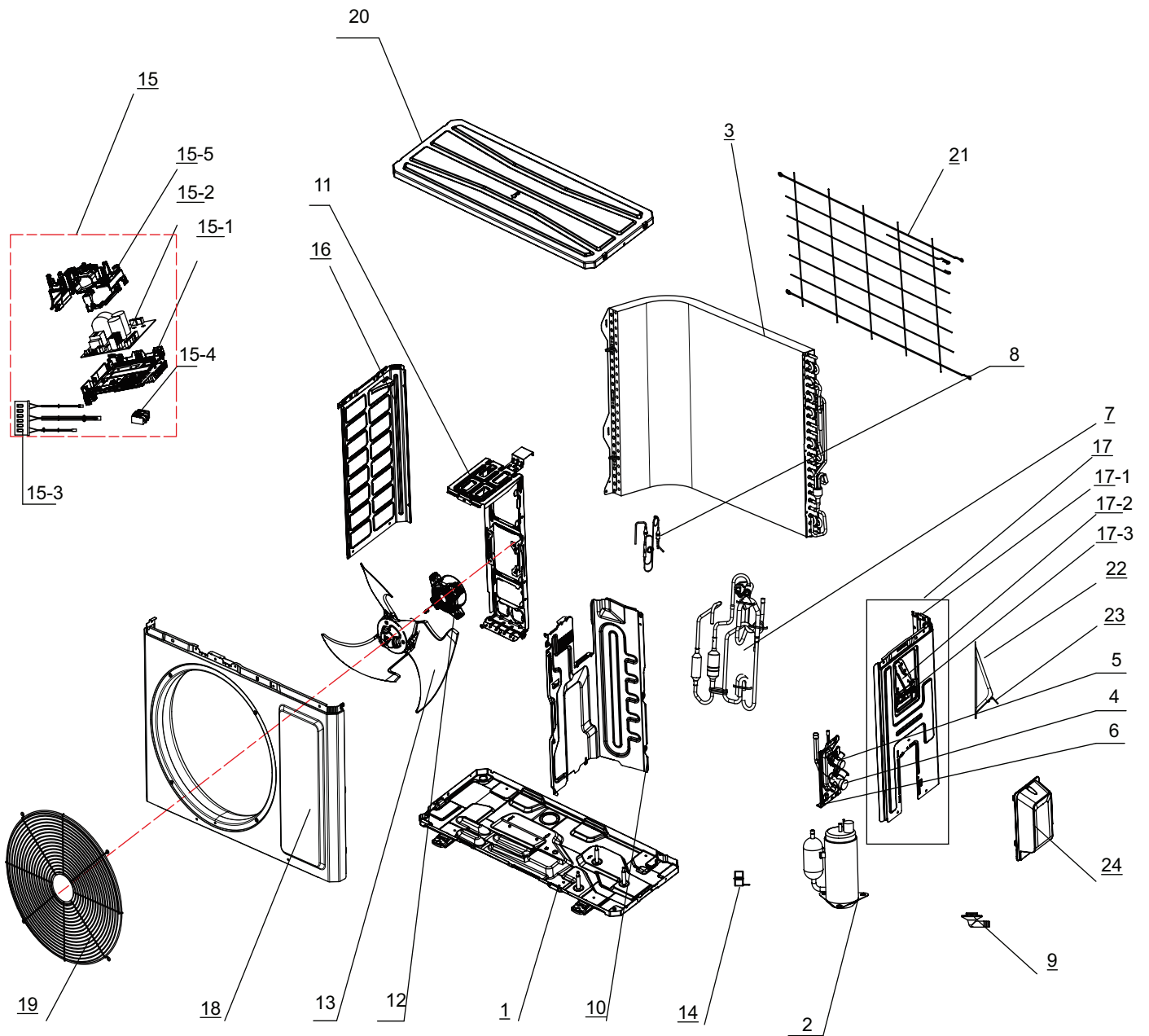
The component picture is only for reference; please refer to the actual product.

## BRS18HPJ132IA

No.	Part Description	Qty	Part No.
1	Rear Case Sub-Assy	1	00037706007301
NS	Rear Case	1	20000106009101
1-1	Air Louver (Auto)	1	200007060115
1-2	Air Louver (Auto)	1	200007060114
NS	Air Louver (Auto)	1	200007060116
NS	Swing Lever	1	200035060043
20	Stepping Motor	1	1521210704
NS	Stepping Motor	1	1521240212
9	Axile Bush Sub-Assy	1	1054204701
10	Cross Flow Fan	1	103001060034
11	Brushless DC Motor	1	15010406008802
7	Rear Grill Sub-Assy 2	1	209168000011
NS	Cable Cross Plate	1	02122023P
20	Drainage Hose	1	05230014
14	Evaporator Assy	1	011001062414
NS	Gas Sensor	1	34002406001601
16	Electric Box Assy	1	100002082154
16-1	Electric Box	1	200013060122
16-2	Main Board	1	300002064064
16-3	Jumper	1	4202021920
16-5	Terminal Board	1	422000000022
16-6	Temperature Sensor	1	3900031302
17	Front Case Assy	1	000002060326
17-1	Front Case	1	200002060086
17-4	Filter Sub-Assy	1	111001060338
19	Guide Louver	1	200004060196
22	Axile Bush	1	10542036
24	Electric Box Cover	1	200082060089
23	Front Panel	1	200003060305T
25	Wall Mounting Frame	1	012043060024
27	Remote Controller	1	305001060236



# BRS18HPJ132OA



The component picture is only for reference; please refer to the actual product.

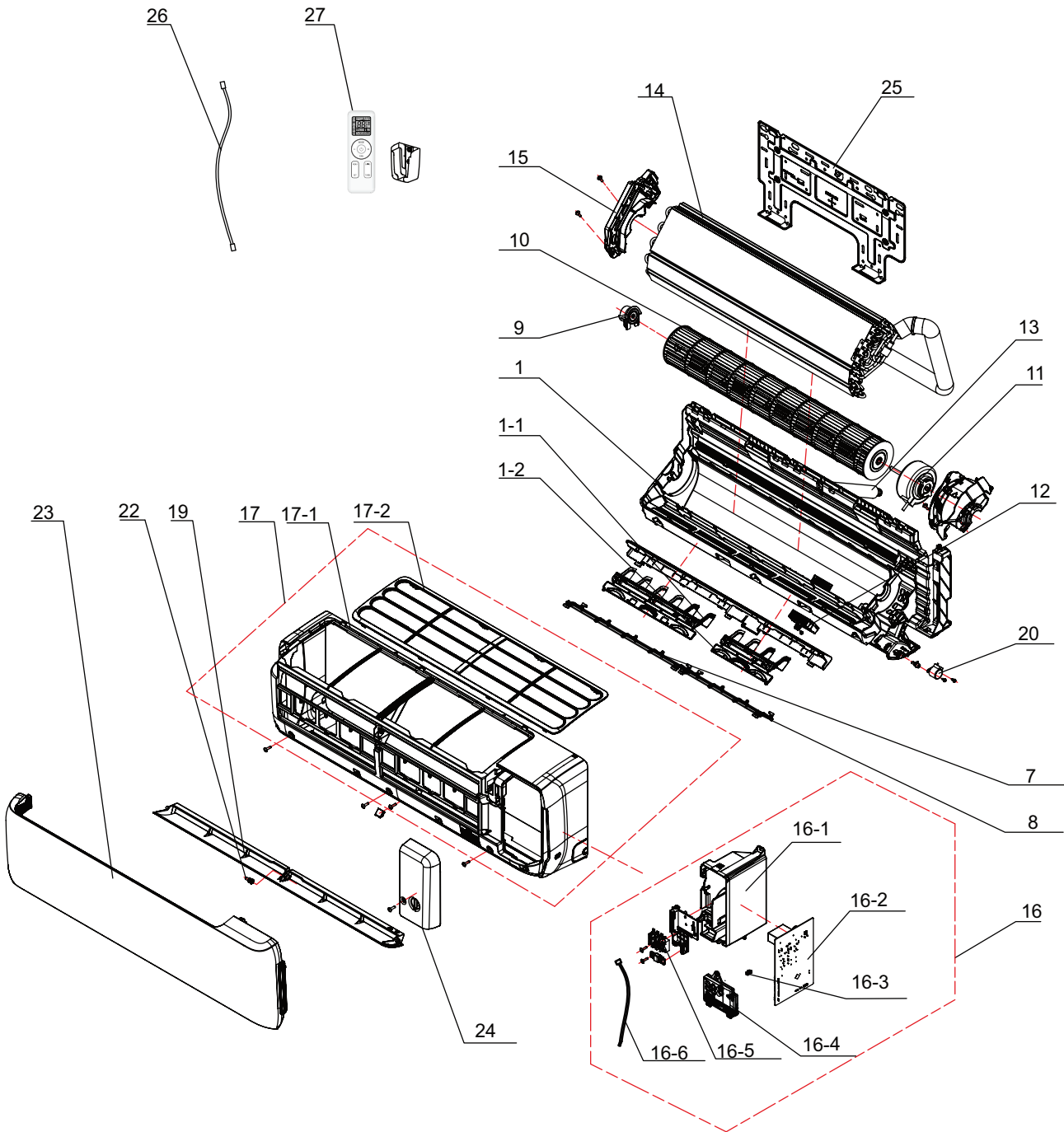


## BRS18HPJ1320A

No.	Part Description	Qty	Part No.
1	Chassis Sub-assy	1	017000060759P
NS	(Chassis)	1	7651000423
2	Compressor and afittings	1	009001061090
NS	Compressor Gasket	3	009012060035
3	Condenser Assy	1	01100206202601
NS	One Way Valve	1	0713010302
NS	Strainer	1	035021060002
7	4-Way Valve Assy	1	030152060719
5	Cut-off valve 1/4(N)	1	070001060022
6	Valve Support	1	012044060022P
4	Cut-off valve 1/2(N)	1	070001060024
11	Motor Support	1	01204806014001
12	Brushless DC Motor	1	15010406009506
13	Axial Flow Fan	1	103002060015
14	4 Way Valve Coil	1	07201006002409
15	Electric Box Assy	1	100002082155
15-1	Electric Box	1	20001306010103
15-2	Main Board	1	300027063803
15-3	Temperature Sensor	1	39000106006905
15-4	Terminal Board	1	42200006007501
15-5	Electric Box Cover	1	20006606003501
16	Left Side Plate	1	012055060395P
17-1	Right Side Plate	1	01205606036706P
17-2	Earthing Plate Sub-Assy	1	017246000007
17-3	Wire Clamp	1	200015060025
NS	Front Panel Assy	1	000003060803
18	Cabinet	1	01202206001002p
19	Front Grill	1	016004060011
20	Top Cover Assy	1	000097060355
21	Rear Grill	1	016001060082
22	Cable Cross Plate	1	01220906002802P
23	Cable Cross Plate	1	012209060027P
24	Valve Cover	1	20008706000403
9	Drainage Joint	1	26113009



# BRS24HPJ132IA



The component picture is only for reference; please refer to the actual product.

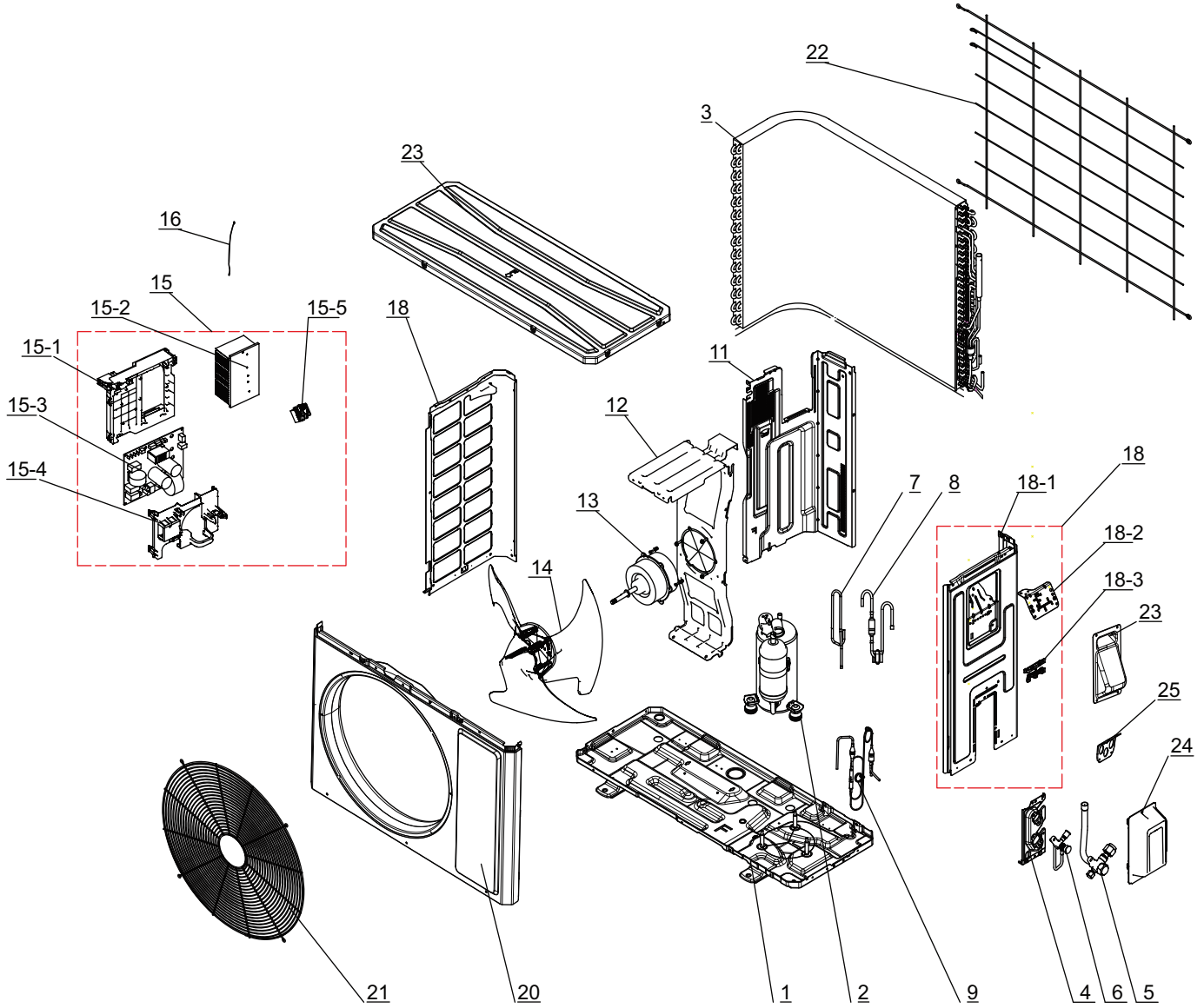


## BRS24HPJ132IA

No.	Part description	Qty	Part No.
1	Rear Case Sub-Assy	1	00037706007801
9	Axile Bush Sub-assy	1	1054204701
6	Stepping Motor	1	1521240210
2	Air Louver (Left)	2	200007060101
3	Air Louver (Right)	1	200007060104
5	Air Louver (Auto)	1	200007060103
4	Swing Lever	1	200035060042
20	Stepping Motor	1	1521210704
11	Brushless DC Motor	1	15010406008802
10	Cross Flow Fan	1	103001060035
NS	Cable Cross Plate	1	02122023P
8	Rear Grill Sub-assy	3	209168000018
13	Drainage Hose	1	0523001405
15	Evaporator Support(D7)	1	200025060025
14	Evaporator Assy	1	011001062812P
16	Electric Box Assy	1	100002081904
16-3	Jumper	1	4202021924
16-1	Electric Box	1	200013060122
16-2	Main Board	1	300002064064
16-5	Terminal Board	1	422000000022
16-6	Temperature Sensor	1	3900031302
29	Gas Sensor	1	34002406001601
17	Front Case Assy	1	209007060129
17-4	Filter Sub-Assy	1	111001060337
17-1	Front Case	1	200002060083
19	Guide Louver	1	200004060193
22	Axile Bush	2	10542036
24	Electric Box Cover	1	200082060089
NS	Front Panel Assy	1	000003060833
23	Front Panel	1	200003060302T
25	Wall Mounting Frame	1	012043060024
27	Remote Controller	1	305001060236



# BRS24HPJ1320A



The component picture is only for reference; please refer to the actual product.



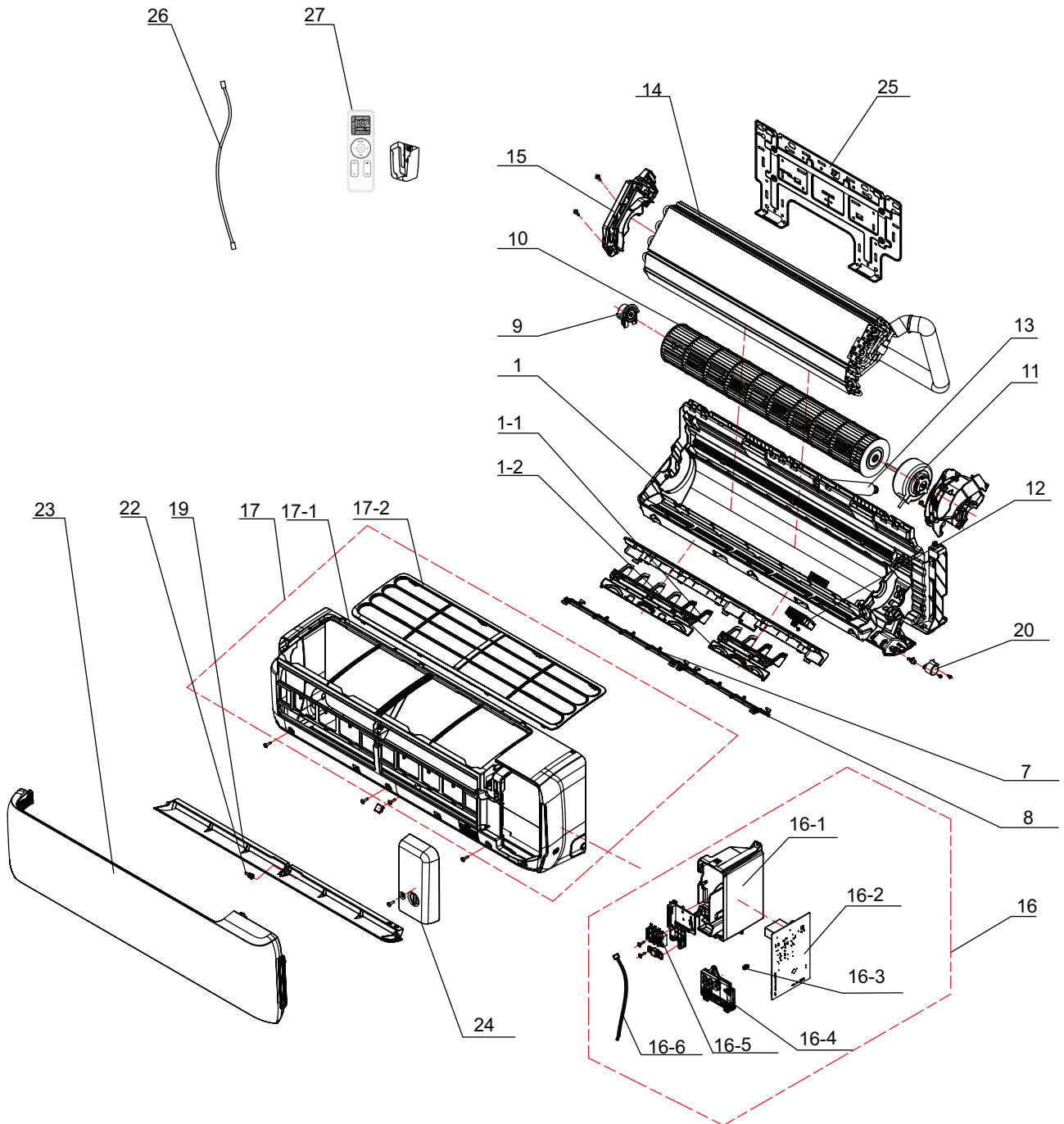


## BRS24HPJ1320A

No.	Part Description	Qty	Part No.
1	Chassis Sub-assy	1	01700006076102P
NS	Electrical Heater	1	765100049
2	Compressor and Fittings	1	009001060617
NS	Compressor Gasket	3	009033060003
3	Condenser Assy	1	001100206169803
NS	Strainer	1	0721304401
6	Cut-off valve 1/4(N)	1	070001060022
4	Valve Support	1	012044060022P
5	Cut-off valve 1/2(N)	1	070001060024
7	4-Way Valve Assy	1	030152061576
NS	Silencer	1	07243027
8	4 Way Valve Coil	1	07201006002409
11	Clapboard	1	012051061303
12	Motor Support	1	012048060145
13	Fan Motor	1	15010106051105
14	Axial Flow Fan	1	10335262
17	Left Side Plate	1	012055060393P
15	Electric Box Assy	1	100002081906
15-1	Electric Box	1	20001306008501
15-3	Main Board	1	300027063873
NS	Capacitor CBB61	1	3301074723
15-4	Electric Box Cover	1	20008206006801
15-5	Terminal Board	1	42200006007501
16	Temperature Sensor	1	39000106006901
18	Right Side Plate Assy	1	000081060399
18-1	Right Side Plate	1	01205606038704P
18-3	Wire Clamp	1	200015060023
18-2	Earthing Plate Sub-Assy	1	01724600000204
21	Rear Grill	1	016001060085
NS	Front Panel Assy	1	00000306054301
19	Front Panel	1	01207306161101
22	Top Cover Assy	1	0009706033301
NS	Cable Cross Plate	1	01220906004101P
24	Valve Cover	1	20008706000503
NS	Drainage Joint	1	26113009



# BRS30HP132IA



The component picture is only for reference; please refer to the actual product.

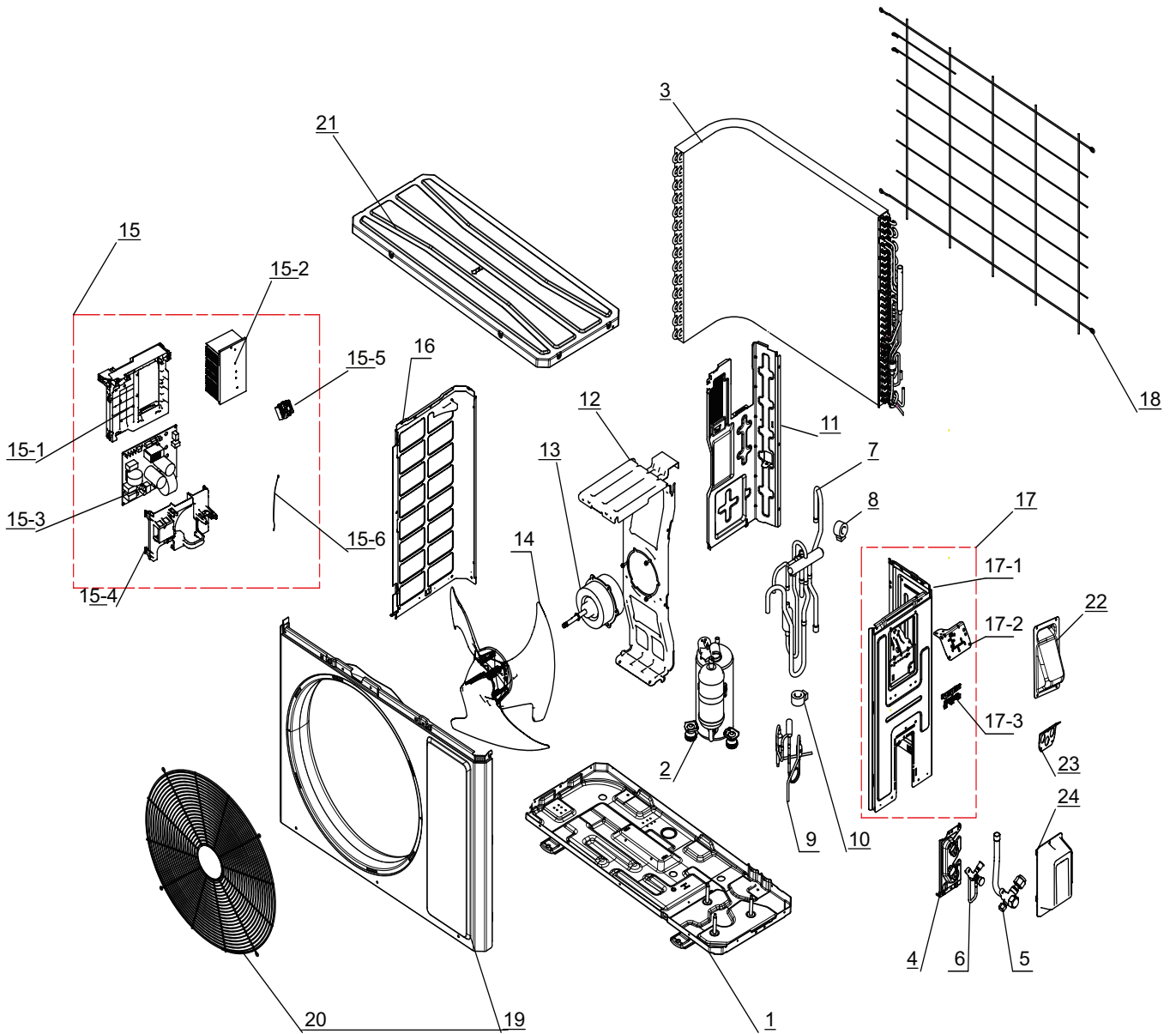


## BRS30HPJ132IA

No.	Part Description	Qty	Part No.
1	Rear Case Sub-Assy	1	00037706007801
9	Axile Bush Sub-assy	1	1054204701
6	Stepping Motor	1	1521240210
2	Air Louver (Left)	2	200007060101
3	Air Louver (Right)	1	200007060104
5	Air Louver (Auto)	1	200007060103
4	Swing Lever	1	200035060042
20	Stepping Motor	1	1521210704
11	Brushless DC Motor	1	15010406011601
10	Cross Flow Fan	1	103001060035
NS	Cable Cross Plate	1	02122023P
7	Rear Grill Sub-assy	3	209168000018
13	Drainage Hose	1	0523001405
14	Evaporator Assy	1	01100106241103
15	Evaporator Support(D7)	1	200025060025
29	Gas Sensor	1	34002406001601
16	Electric Box Assy	1	100002082822
16-3	Jumper	1	4202021928
16-1	Electric Box	1	200013060122
16-2	Main Board	1	300002064064
16-5	Terminal Board	1	422000000022
16-6	Temperature Sensor	1	3900031302
17	Front Case Sub-assy	1	209007060129
17-4	Filter Sub-Assy	1	111001060337
17-1	Front Case	1	200002060083
19	Guide Louver	1	200004060193
22	Axile Bush	2	10542036
24	Electric Box Cover	1	200082060089
NS	Front Panel Assy	1	000003060833
23	Front Panel	1	200003060302T
25	Wall Mounting Frame	1	012043060024
27	Remote Controller	1	305001060236



# BRS30HPJ1320A



The component picture is only for reference; please refer to the actual product.

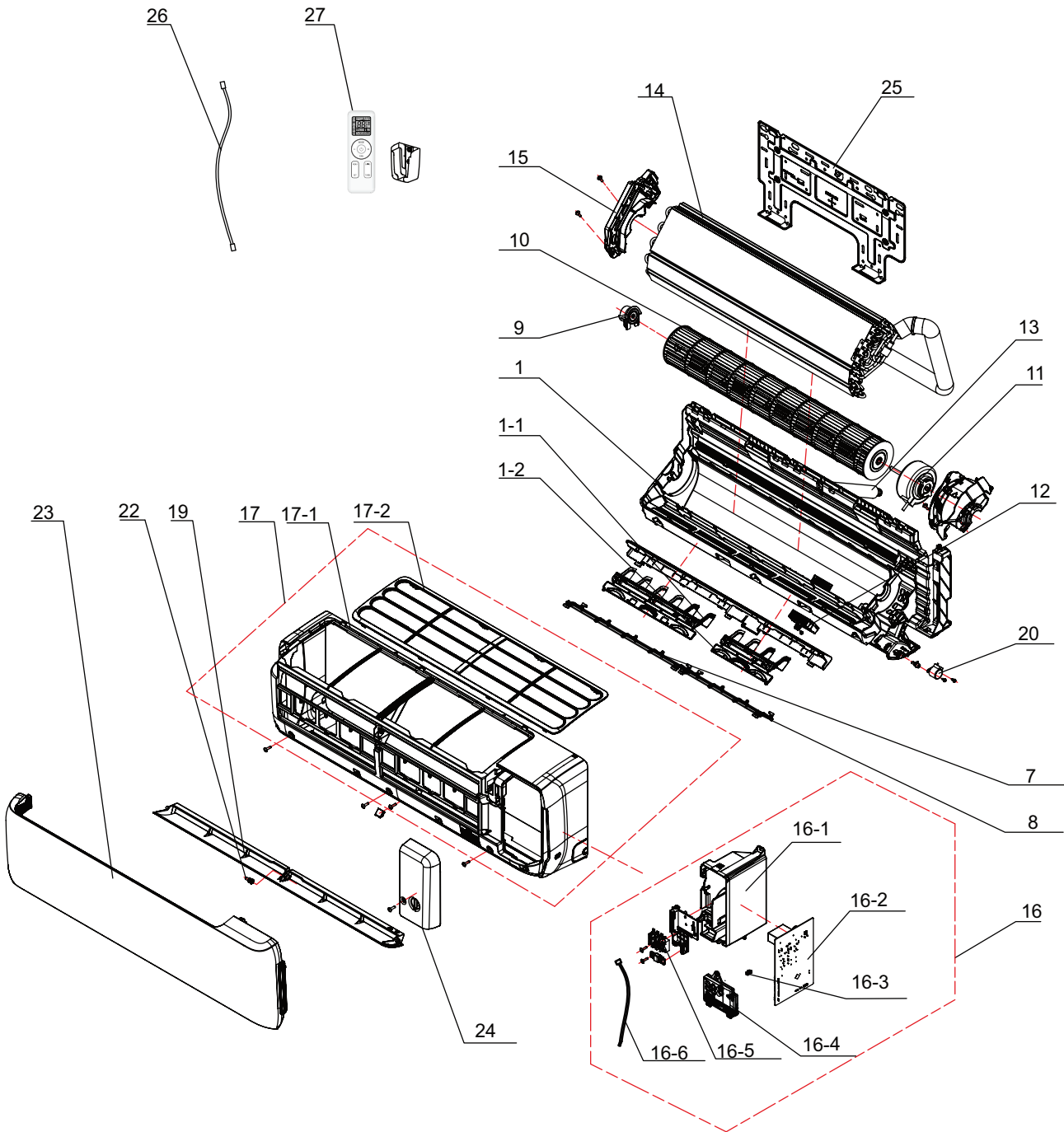


## BRS30HPJ132OA

No.	Part Description	Qty	Part No.
1	Chassis Sub-assy	1	01700006071117P
NS	Electrical Heater	1	765100049
2	Compressor and Fittings	1	009001060966
NS	Compressor Gasket	3	76713066
3	Condenser Assy	1	01100206192502
7	4-Way Valve Assy	1	030152061618
NS	Silencer 1	1	07243050
4	Valve Support	1	012044060031P
5	Cut-off valve 5/8(N)	1	070001060032
6	Cut-off valve 1/4(N)	1	070001060022
NS	Strainer	1	0721302608
9	EEV Sub-Assy	1	072009060006
10	EEV Fitting	1	07200206002301
8	4 Way Valve Coil	1	43000400128
11	Clapboard Assy	1	000075060173
14	Axial Flow Fan	1	103002060027
16	Left Side Plate	1	012055060389P
15	Electric Box Assy	1	100002082823
15-1	Electric Box	1	20001306010201
15-2	Radiator	1	430034060150
15-3	Main Board	1	300027064001
15-4	Electric Box Cover	1	20008206007701
15-5	Terminal Board	1	42200006007501
17	Right Side Plate Assy	1	000081060373
17-3	Wire Clamp	1	200015060021
17-1	Right Side Plate	1	01205606043702P
NS	Front Panel Assy	1	00000306073801
20	Front Grill	1	016004060018
19	Cabinet	1	01202206001901
21	Top Cover Sub-Assy	1	000051060149
24	Valve Cover	1	200087060008
18	Rear Grill	1	016001060087
NS	Drainage Joint	1	26113009



# BRS36HPJ132IA



The component picture is only for reference; please refer to the actual product.

## BRS36HPJ132IA

No.	Part Description	Qty	Part No.
10	Cross Flow Fan	1	103001060035
20	Stepping Motor	1	1521240210
11	Brushless DC Motor	1	15010406011601
1	Rear Case Sub-Assy	1	000377060088
NS	Rear Case	1	20000106008603
1-1	Air Louver	3	200007060102
9	Axile Bush Sub-assy	1	1054204701
7	Rear Grill Sub-assy	3	209168000018
NS	Cable Cross Plate	1	02122023P
NS	Drainage Hose	1	0523001405
14	Evaporator Assy	1	011001062411
15	Evaporator Support(D7)	1	200025060025
NS	Gas Sensor	1	34002406001601
16	Electric Box Assy	1	100002082099
16-3	Jumper	1	4202021928
16-4	Display Board	1	300001061316
16-1	Electric Box	1	200013060122
16-5	Terminal Board	1	422000000022
16-6	Temperature Sensor	1	3900031302
16-2	Main Board	1	300002064395
17	Front Case Sub-assy	1	209007060129
17-4	Filter Sub-Assy	1	111001060337
17-1	Front Case	1	200002060083
19	Guide Louver	1	200004060193
22	Axile Bush	2	10542036
24	Electric Box Cover	1	200082060089
NS	Front Panel Assy	1	000003060833
23	Front Panel	1	200003060302T
25	Wall Mounting Frame	1	012043060024
27	Remote Controller	1	305001060107

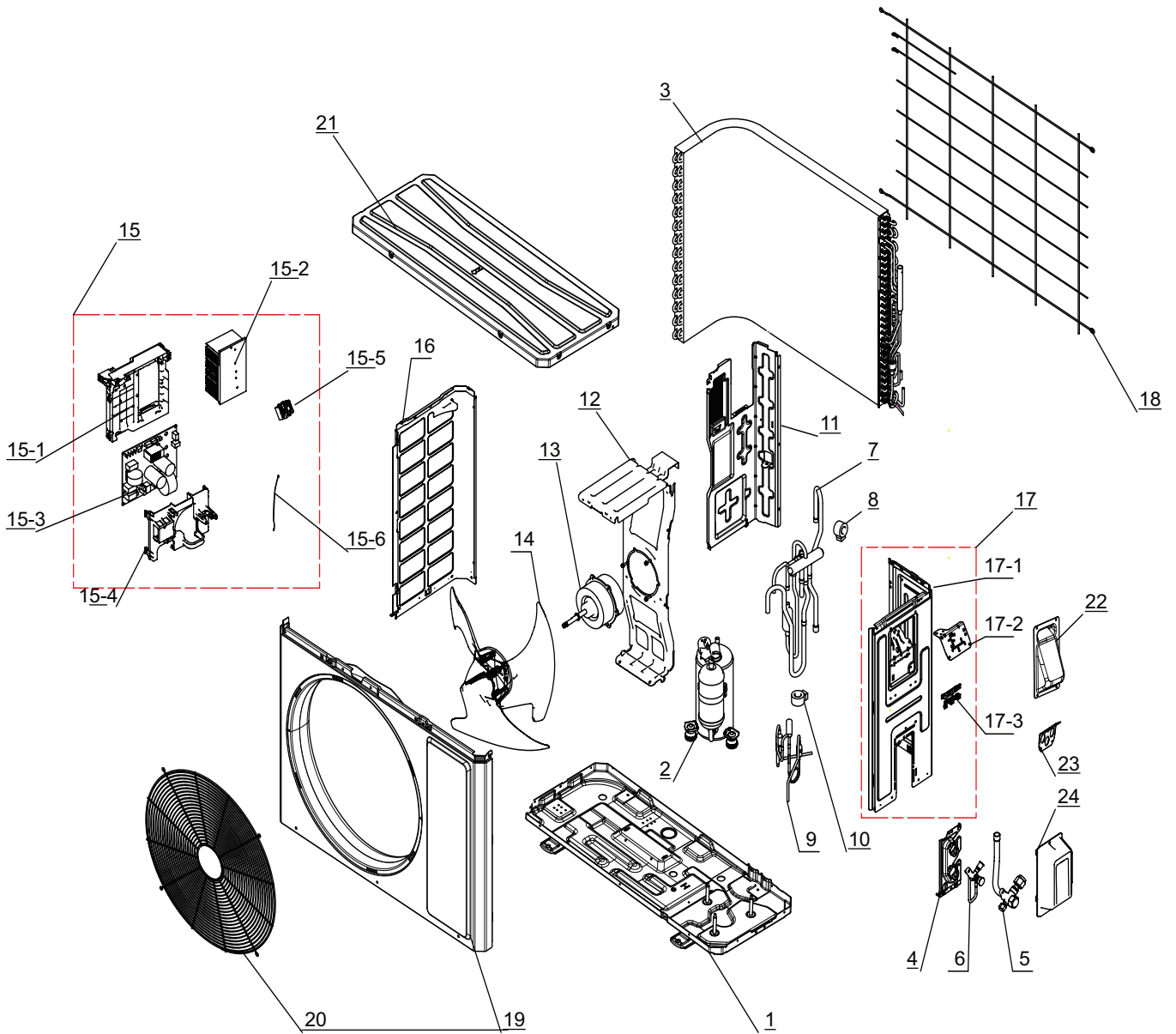
**BOREALHEATPUMPS.COM**



[Back to main page](#)

CAT No. 01242025

# BRS36HPJ1320A



The component picture is only for reference; please refer to the actual product.





## BRS36HPJ132OA

No.	Part Description	Qty	Part No.
1	Chassis Sub-assy	1	01700006071117P
NS	Electrical Heater	1	765100049
2	Compressor and Fittings	1	009001060690
NS	Compressor Gasket	3	009012000025
NS	Cotton	1	7501580201
3	Condenser Assy	1	01100206192502
4	Valve Support	1	012044060031P
5	Cut-off valve 5/8(N)	1	070001060032
6	Cut-off valve 1/4(N)	1	070001060022
NS	Electronic Expansion Valve Assy	1	030174060218
NS	Electronic Expansion Valve Assy	1	43005016
NS	Strainer	1	0721302608
7	4-Way Valve Assy	1	030152060838
NS	4-Way Valve Assy	1	030152060792
NS	Silencer 1	1	07243050
10	Electric Expand Valve Fitting	1	07200206002301
8	Magnet Coil	1	4300040072
11	Clapboard Assy	1	000075060173
14	Axial Flow Fan	1	103002060027
16	Left Side Plate	1	012055060389P
15	Electric Box Assy	1	100002082048
15-1	Electric Box	1	20001306010201
15-2	Radiator	1	430034060150
15-3	Main Board	1	300027063794
15-4	Electric Box Cover	1	20008206007701
15-5	Terminal Board	1	42200006007501
17	Right Side Plate Assy	1	000081060373
17-3	Wire Clamp	1	200015060021
17-1	Right Side Plate	1	01205606043702P
NS	Front Panel Assy	1	00000306073801
20	Front Grill	1	016004060018
19	Cabinet	1	01202206001901
21	Top Cover Sub-Assy	1	000051060149
24	Valve Cover	1	200087060008
18	Rear Grill	1	016001060087
NS	Drainage Joint	1	26113009



[Back to main page](#)