



**brisa** 

The word "brisa" is written in a large, black, lowercase, sans-serif font. To the right of the word is a graphic consisting of three horizontal, wavy blue lines that resemble a stylized flame or a breeze.

MBRS42HPJ10A

## OWNER'S MANUAL

---

Split Air Conditioner  
**INVERTER**

Thank you for choosing our product.

For proper operation, please read and keep this manual for future reference.

If you have lost the Owner's Manual, please contact the local agent or visit

[www.borealintl.com](http://www.borealintl.com) or send an email to [borealsales@borealintl.com](mailto:borealsales@borealintl.com) for the electronic version.

# Preface

The Free Match System adopts the cutting-edge manufacturing technology and takes global acknowledged, environmental-friendly R410A as refrigerant, which is a green product in the 21<sup>st</sup> century. Please carefully read this manual before installation and operation. Instructions before reading this manual :

(1) This unit measures on the base of UL1995.

(2) Free Match System conforms to design standard: ARI 210240-2008.

(3) For guaranteeing personal safety when operating this system, please strictly follow the instructions listed in the manual.

(4) The total capacity of the indoor units which runs at the same time can not exceed that of the outdoor units; otherwise, the cooling (heating) effect of each indoor unit would be poor.

Model	30K	36K	MBRS42HPJ10A
Minimum number of connectable indoor units	2	2	2
Maximum number of connectable indoor units	4	5	5
Minimum capacity of connectable indoor units	18KBtu	18KBtu	18KBtu
Maximum capacity of connectable indoor units	42KBtu	48KBtu	56KBtu

(5) Switch the main power on 8 hours before starting the unit, helpful for a successful startup.

(6) It is a normal phenomenon that the indoor unit fan will still run for 20~70 seconds after the indoor unit receives the “stop” signal so as to make full use of after-heat for the next operation.

(7) When the running modes of the indoor and outdoor units conflict, it will be indicated on the display of the wired controller in five seconds and then the indoor unit will stop. In this case, they can back to the normal condition by harmonizing their running modes: the cooling mode is compatible with the dehumidifying mode and the fan mode can go with any other mode. If the supply power fails when the unit is running, then the indoor unit will send the “start” signal to the outdoor unit three minutes later after power recovery.

(8) Cautions for the Debugging and Maintenance Personnel:

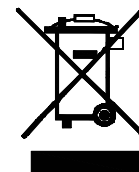
During debugging and maintenance, prior to the startup of the compress make sure the heating belt of the compressor has been energized for at least eight hours! Once the compressor is started, it must be guaranteed that it works continuously for at least 30 minutes, otherwise it would be damaged!

## User Notice

This appliance is not intended for use by persons (including children) with reduced physical, sensory or mental capabilities or lack of experience and knowledge unless they have been given supervision or instruction concerning use of the appliance by a person responsible for their safety. Children should be supervised to ensure that they do not play with the appliance.

This appliance is intended to be used by expert or trained users in shops, in light industry and on farms, or for commercial use by lay persons.

**DISPOSAL:** Do not dispose this product as unsorted municipal waste. Collection of such waste separately for special treatment is necessary.



## Exception Clauses

Manufacturer will bear no responsibilities when personal injury or property loss is caused by the following reasons.


1. Damage the product due to improper use or misuse of the product;
2. Alter, change, maintain or use the product with other equipment without abiding by the instruction manual of manufacturer;
3. After verification, the defect of product is directly caused by corrosive gas;
4. After verification, defects are due to improper operation during transportation of product;
5. Operate, repair, maintain the unit without abiding by instruction manual or related regulations;
6. After verification, the problem or dispute is caused by the quality specification or performance of parts and components that produced by other manufacturers;
7. The damage is caused by natural calamities, bad using environment or force majeure.

## Contents

1 Safety Precautions.....	1
2 Product Introduction.....	3
2.1 Name of Main Parts.....	3
2.2 Combinations for outdoor and indoor units .....	4
2.3 Rated working condition.....	5
2.4 The range of production working temperature.....	5
3 Preparation before Installation .....	6
3.1 Standard parts .....	6
3.2 Selecting installation site .....	6
3.3 Piping Connection .....	7
4 Installation Instruction.....	8
4.1 Outline and dimension of the outdoor unit.....	8
4.2 Installation of the Connection Pipe.....	9
4.3 Air Purging and Refrigerant Charge.....	11
4.4 Electric Wiring.....	12
5 Troubleshooting .....	14
6 The conditions listed below are not classified into errors.....	15
7 Troubleshooting .....	17
8 Maintenance .....	18
8.1 Outdoor heat exchanger.....	18
8.2 Drain Pipe .....	18
8.3 Notice before Seasonal Use .....	18
8.4 Maintenance after Seasonal Use .....	18
8.5 Parts Replacement .....	18
9 After-sales Service .....	19

# Free match series

## 1 Safety Precautions

	This is the safety alert symbol. It is used to alert you to potential personal injury hazards. Obey all safety messages that follow this symbol to avoid possible injury or death.
<b>▲WARNING</b>	This mark indicates procedures which, if improperly performed, might lead to the death or serious injury of the user.
<b>▲CAUTION</b>	This mark indicates procedures which, if improperly performed, might possibly result in personal harm to the user, or damage to property.
<b>NOTICE</b>	NOTICE is used to address practices not related to personal injury.

<b>▲WARNING</b>	
1)	Instructions for installation and use of this product are provided by the manufacturer and accompany each unit. The instruction of installation, maintenance and operating and safety instructions shall be included.
2)	Installation must be performed in accordance with the requirements of NEC and CEC by authorized personnel only.
3)	Before installation, please check if the power supply is in accordance with the requirements specified on the nameplate. And also take care of the power safety.
4)	Make sure the unit can be earthed properly and soundly after plugging into the socket so as to avoid electric shock. Please do not connect the ground wire to gas pipe, water pipe, lightning rod or telephone line.
5)	Be sure to use the exclusive accessory and part to prevent the water leakage, electric shock and fire accidents.
6)	If refrigerant leakage happens during installation, please ventilate immediately. Poisonous gas will emerge if the refrigerant gas meets fire.
7)	Wire size of power cord should be large enough. The damaged power cord and connection wire should be replaced by exclusive cable.
8)	After connecting the power cord, please fix the electric box cover properly in order to avoid accident.
9)	Never fail to comply with the nitrogen charge requirements. Charge nitrogen when welding pipes.
10)	Never short-circuit or cancel the pressure switch to prevent unit damage.
11)	Please firstly connect the wired controller before energization, otherwise wired controller can not be used.
12)	Before using the unit, please check if the piping and wiring are correct to avoid water leakage, refrigerant leakage, electric shock, or fire etc.
13)	Do not insert fingers or objects into air outlet/inlet grille.
14)	Open the door and window and keep good ventilation in the room to avoid oxygen deficit when the gas/oil supplied heating equipment is used.
15)	Never start up or shut off the air conditioner by means of directly plug or unplug the power cord.
16)	Turn off the unit after it runs at least five minutes; otherwise it will influence oil return of the compressor.
17)	Do not allow children operate this unit.
18)	Do not operate this unit with wet hands.
19)	Turn off the unit or cut off the power supply before cleaning the unit, otherwise electric shock or injury may happen.
20)	Never spray or flush water towards unit, otherwise malfunction or electric shock may happen.
21)	Do not expose the unit to the moist or corrosive circumstances.
22)	Electrify the unit 8 hours before operation. Please switch on for 8 hours before operation. Do not cut off the power when 24 hours short-time halting (to protect the compressor).
23)	Volatile liquid, such as diluent or gas will damage the unit appearance. Only use soft cloth with a little neutral detergent to clean the outer casing of unit.
24)	Under cooling mode, please don't set the room temperature too low and keep the temperature difference between indoor and outdoor unit within 41°F
25)	If anything abnormal happens (such as burning smell), please power off the unit and cut off the main power supply, and then immediately contact appointed service center. If abnormality keeps going, the unit might be damaged and lead to electric shock or fire.
26)	User is not allowed to repair the unit. Fault service may cause electric shock or fire accidents. Please contact appointed service center for help.

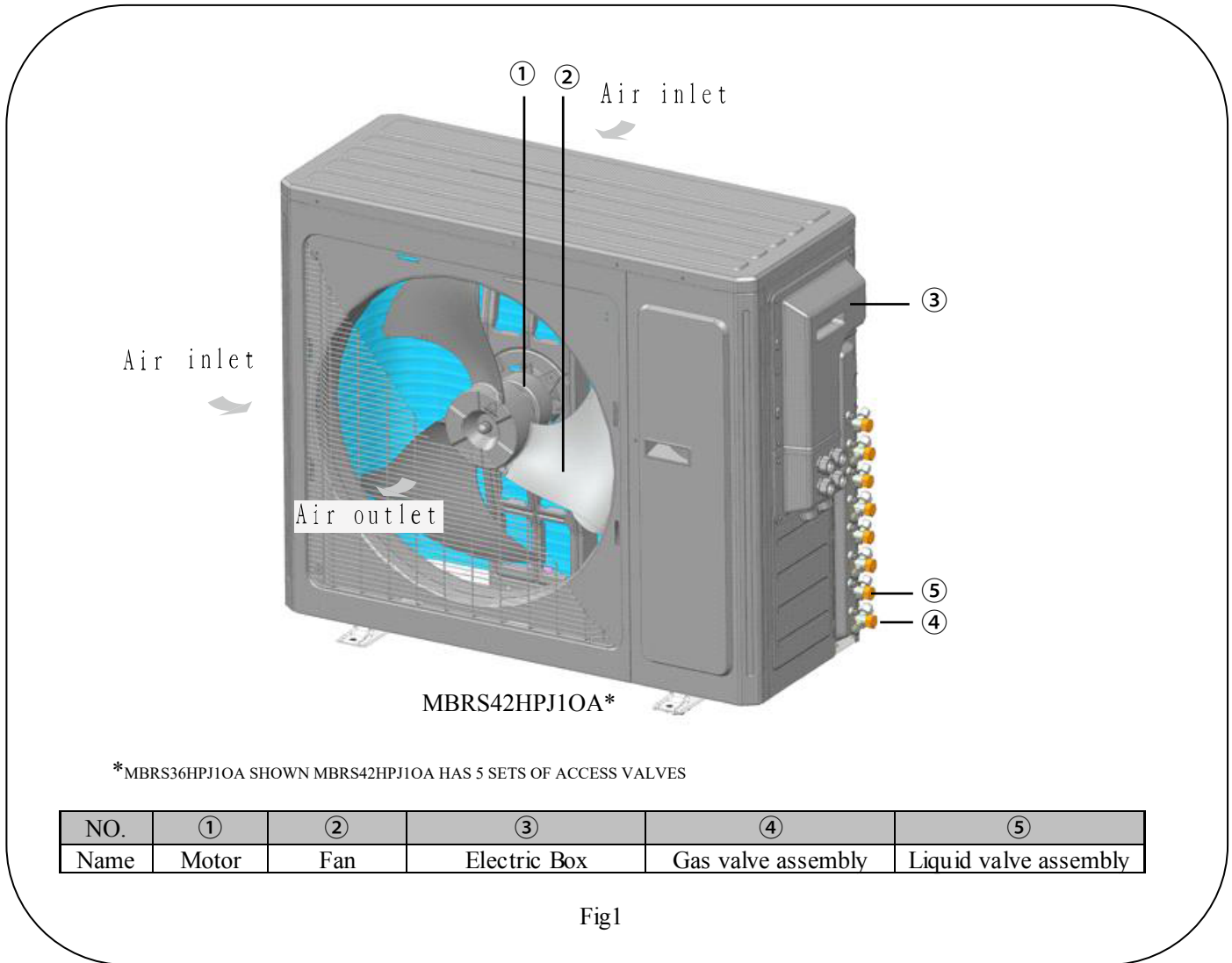
We are not responsible of personal injury or equipment damage caused by improper installation and commission, unnecessary service and incapable of following the rules and instructions listed in this manual.

# Free match series

## 2 Product Introduction

The Free Match System adopts inverter compressor technology. According to change displacement of compressor, stepless capacity regulation within range of 15%~120% can be realized. Various product lineup is provided with capacity range from 30KBtu to 42KBtu, which can be widely used in boarding house and working area and especially applicable to the place with variable load change. Our commercial air conditioner is absolutely your best choice.

### 2.1 Name of Main Parts



2.2 Combinations for outdoor and indoor units

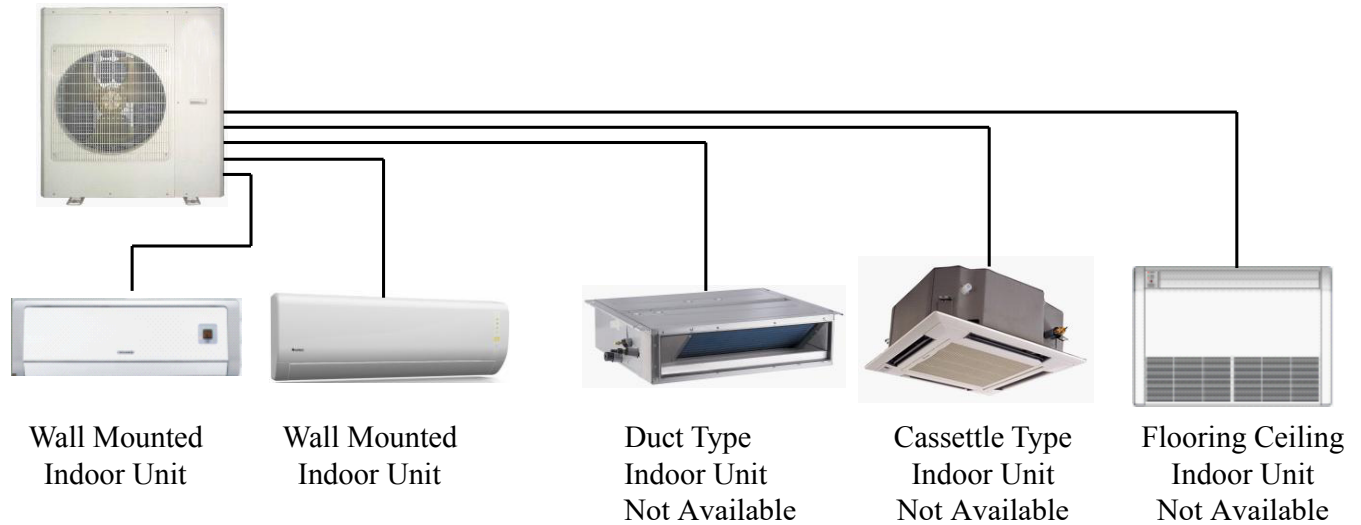


Fig 2

See Fig.2 for Combinations for Outdoor and Indoor Units. For the free match series air conditioning system, one outdoor unit is able to drive up to five indoor units which can be cassette type, duct type, wall-mounted or floor ceiling type. The outdoor unit will run as long as any one indoor unit receives the running command, and all indoor units stop once the outdoor unit is turned off.

Table 1 Energy Level and Capacity Code of the Indoor

Indoor unit		Capacity Code	Outdoor unit
Wall mounted	Brisa	09	MBRS42HPJ1OA
		12	
		18	
		24	
Flooring ceiling Not Available		09	Not Available at this time
		12	
		18	
		24	
Duct type Not Available		09	
		12	
		18	
		21	
Cassette type Not Available		24	
		12	
		18	
Console Not Available		24	
		09	
		12	
	18		



## Free match series

---

### 2.3 Rated working condition

Table 2

	Indoor side state		Outdoor side state	
	Dry buib temp. °F	Wet buib temp. °F	Dry buib temp. °F	Wet buib temp. °F
Rating cooling	80.06	66.92	95	75.02
Rating Heating	69.98	60.08	47	43.00

#### ***NOTICE***

- 1) The following listed cooling /heating capacity and noise is tested before outgoing.
- 2) The parameters below are tested under rated working condition. If there is any change to them, please refer to the nameplate.
- 3) The parameters of heating capacity of indoor unit for heat pump excluded that of auxiliary electric heating power.
- 4) The performance parameters below are tested according to standard ANSI/AHRI 1230-2010.

### 2.4 The range of production working temperature

Table 3


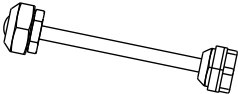
Cooling Working range	Outdoor temperature 0~118°F
Heating Working range	Outdoor temperature -4~86°F

### 3 Preparation before Installation

#### 3.1 Standard parts

Please use the following standard parts supplied by us.

Table 4

Pars of Outdoor Unit				
Number	name	picture	Quantity	Remark
1	Owner's manual		1	
2	Tube connector subassy		30K:8 36K:8 42K:9	

#### 3.2 Selecting installation site

<b>⚠ WARNING</b>	
1)	Install the unit at a place where is adequate to withstand the weight of the unit and make sure the unit would not shake or fall off.
2)	Never expose the unit under direct sunshine and rainfall. Install the unit at a place where is against dust, typhoon and earthquake.
3)	Try to keep the unit away from combustibile, inflammable and corrosive gas or exhaust gas.
4)	Leave some space for heat exchanging and servicing so as to guarantee unit normal operation.
5)	Keep the indoor and outdoor units close to each other as much units close to each other as much the pipe length and bends.
6)	Never allow children to approach to the unit and take measures to prevent children touching the unit.

When the outdoor unit is totally surrounded by walls, the installation space of the unit should be as required in Fig.3.

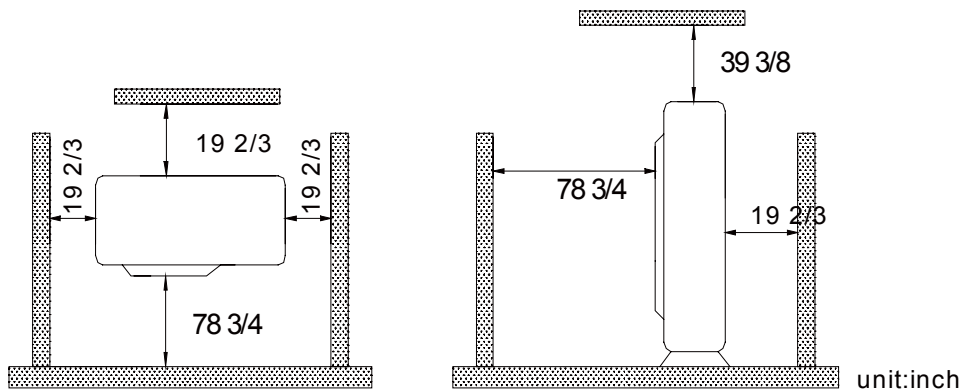


Fig 3

## Free match series

### 3.3 Piping Connection

The maximum pipe length is shown in the following table. When the distance between units (piping length) is out of the range listed below, normal run of the unit can not be guaranteed.

Table 5

Model	Connecting Pipe (inch)		Max. Pipe length(ft)	Max. Height Difference between Indoor Unit and Outdoor Unit (ft)
	Liquid	Gas		
30K	Φ 1/4	Φ 3/8	229.6	When the outdoor unit is above, maximum height difference between indoor and outdoor units is up to 49.2ft; When the indoor unit is above, maximum height difference between indoor and outdoor units is up to 49.2ft;
36K	Φ 1/4	Φ 3/8	246.1	
MBRS42HPJ1OA	Φ 1/4	Φ 3/8	246.1	

#### ***NOTICE***

- 1) Use water-proof insulating pipe.
- 2) Wall thickness of pipe: 0.019-0.039 inch; bearing pressure: 3.0MPa
- 3) The longer the connection pipe is, the more cooling and heating capacity will decrease.

## 4 Installation Instruction

### 4.1 Outline and dimension of the outdoor unit

MBRS42HPJ10A  
Outline dimension and Mounting holes

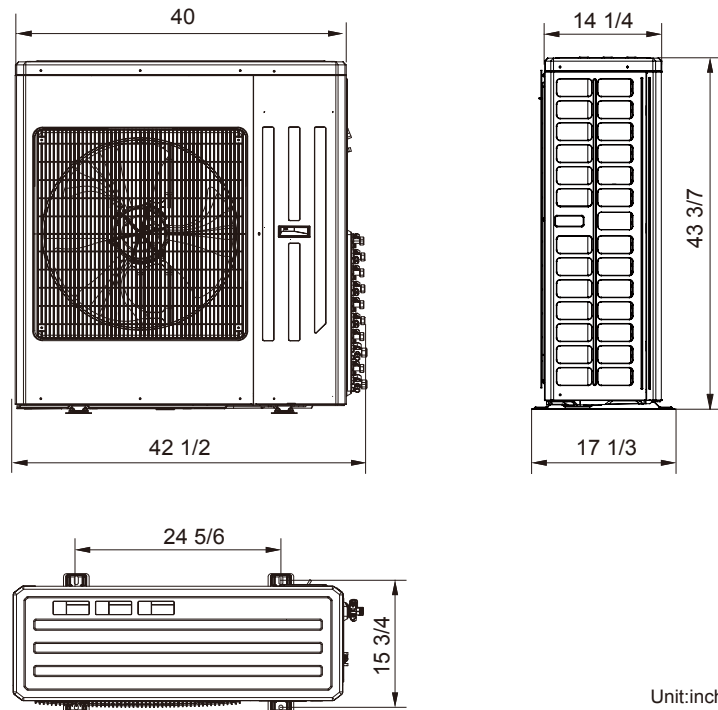


Fig 5  
8

# Free match series

## 4.2 Installation of the Connection Pipe

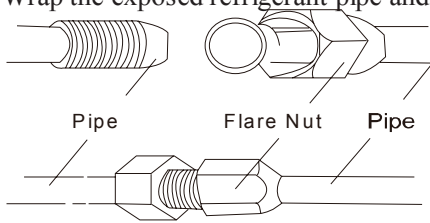
Connecting piping for indoor unit and outdoor unit are in manifold mode. (As shown below).



Fig 6

### 4.2.1 Piping between the Indoor and Outdoor Units

- (1) If the liquid and gas stop valves which have the sign of A , B, C, D or E have not been connected to the indoor units, please turn off the screw cap with the spanner airproof.
- (2) Refer to Fig.7 for the moments of torque for tightening screws.
- (3) Let the flare end of the copper pipe point at the screw and then tighten the screw by hand.
- (4) After that, tighten the screw by the torque wrench unit it clatters (as shown in Fig.7).
- (5) The bending degree of the pipe can not be too small; otherwise it will crack. And please use a pipe tube bender to bend the pipe.
- (6) Wrap the exposed refrigerant pipe and the joints by sponge and then tighten them with the plastic tape.



Fid 7

Pipe diameter	Thickness of copper tube	Tightening torque
Φ1/4 inch	≥0.0315 inch	11~22 ft·lbf
Φ3/8 inch	≥0.0315 inch	26~29 ft·lbf
Φ1/2 inch	≥0.0315 inch	33~37 ft·lbf
Φ5/8 inch	≥0.0394 inch	44~48 ft·lbf

1) During the connection of the indoor unit and the refrigerant pipe, never pull any joints of the indoor unit by force; otherwise the capillary pipe or other pipe may crack, which then would result in leakage.
2) The refrigerant pipe should be supported by brackets, that is, don't let the unit withstand the weight of it.
3) If the piping connection size of outdoor unit does not match the piping connection size of indoor unit, use the piping connection dimension of indoor unit. And use different-diameter joints which is installing on the place of the piping connection to connect the indoor unit.
4) For the Free Match system, each pipe should be labeled to tell which system it belongs to avoid mistaken inaccurate piping.

### 4.2.2 Allowable pipe length and drop height among indoor and outdoor units

If the total refrigerant pipe length (liquid pipe) is smaller than that listed in the table below, no additional refrigerant will be charged.

Table 6

Model	30K	36K	MBRS42HPJ10A
Total Liquid Pipe Length (a+b+c+d+e)	131.2ft	131.2ft	131.2ft

Allowable Length and Height Fall of the Refrigerant Pipe  
Table 7

		Allowable Value		Fitting Pipe
			MBRS42HPJ10A	
Total length (actual length) of fitting pipe			246.1ft	$L_1+L_2+\dots+L_M(M \leq 5)$
Length of farthest fitting pipe (ft)			82ft	$L_X (X=1, 2, 3, 4,5)$
Height difference between outdoor unit and indoor unit	Outdoor unit at upper		49.2ft	H1
	Outdoor unit at lower		49.2ft	H3
Height difference between indoor units (m)			24.6ft	H2

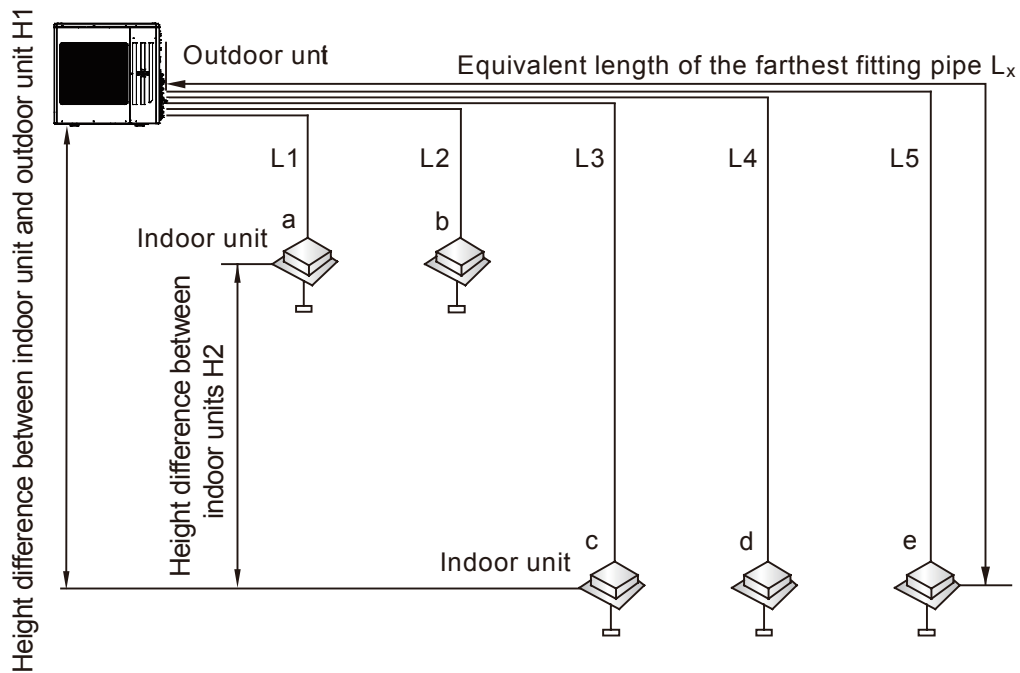


Fig 8

#### 4.2.3 Installation of the Protection Layer of the Refrigerant Pipe

(1)The refrigerant pipe should be insulated by the insulating material and plastic tape in order to prevent condensation and water leakage.

(2)The joints of the indoor unit should be wrapped with the insulating material and no gap is allowed on the joint of the indoor unit, as shown in Fig.9.

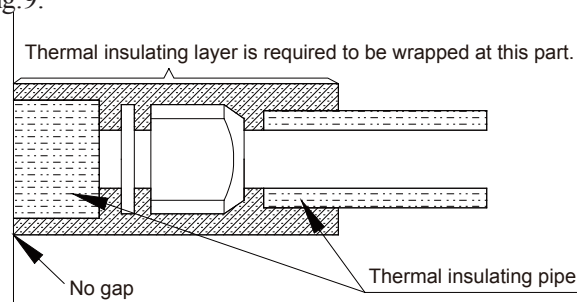


Fig 9

## Free match series

### ⚠ CAUTION

After the pipe is protected well enough, never bend it to form a small angle; otherwise it would crack or break.

(3) Wrap the Pipe with Tape:

- Bundle the refrigerant pipe and electric wire together with tape, and separate them from the drain pipe to prevent the condensate water overflowing.
- Wrap the pipe from the bottom of the outdoor unit to the top of the pipe where it enters the wall. During the wrapping, the later circle should cover half of the former one.
- Fix the wrapped pipe on the wall with clamps.

### ⚠ CAUTION

- Do not wrap the pipe too tightly; otherwise the insulation effect would be weakened. Additionally, make sure the drain hose is separated from the pipe.
- After that, fill the hole on the wall with sealing material to prevent wind and rain coming into the room.

#### 4.2.4 Support and protection for pipeline

Support should be made for hanging connection pipe. Distance between each support can not be over 1m.

### 4.3 Air Purging and Refrigerant Charge

#### 4.3.1 Air purging

(1) The refrigerant has been charged into the outdoor unit before shipment, while additional refrigerant still need be charged into the refrigerant pipe during the field installation.

(2) Check if the liquid valve and the gas valve of the outdoor unit are closed fully.

(3) As shown in the following figure (Fig.10), expel the gas inside the indoor unit and refrigerant pipe out by the vacuum pump.

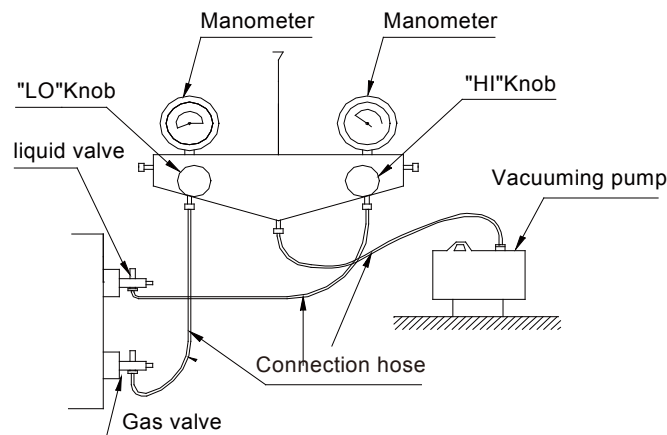


Fig 10

(4) When the compressor is not running, charge the R410A refrigerant into the refrigerant pipe from the liquid valve of the outdoor unit (do not do it from the gas valve).

#### 4.3.2 Additional refrigerant charging

(1) Refrigerant Charge in the Outdoor Unit before Shipment

### NOTICE

- Outdoor unit has been charged refrigerant before delivery. The refrigerant charge is not included those charged additionally in the indoor unit and the refrigerant pipe.
- The amount of the additional refrigerant charge is dependent on the diameter and length of the liquid refrigerant pipe which is decided by the actual yield installation requirement.
- Record the additional refrigerant charge for future maintenance.

(2) Calculation of the Additional Refrigerant Charge

Additional Refrigerant Charge=

$$(\Sigma \text{ Length of Liquid Pipe } \varphi 0.375 \times 54 + \Sigma \text{ Length of Liquid Pipe } \varphi 0.25 \times 22) - 880$$

The biggest additional refrigerant charge value is 800g. It means that if the calculated value exceed 800g, the additional refrigerant charge takes 800g, while the calculated value less than 800g, the additional refrigerant charge takes the calculated value.

### 4.4 Electric Wiring

#### 4.4.1 Wiring precautions

- (1) The installation must be done in accordance with the national wiring regulations.
- (2) Only the power cord with the rated voltage and exclusive circuit for the air conditioning can be used.
- (3) Do not pull the power cord by force.
- (4) The electric installation should be carried out by the technician as instructed by the local laws, regulations and also this manual.
- (5) The diameter of the power cord should be large enough and once it is damaged it must be replaced by the dedicated one.
- (6) The earthing should be reliable and the earth wire should be connected to the dedicated device of the building by the technician. Besides, the circuit breaker coupled with the leakage current protection switch must be equipped, which is of enough capacity and of both magnetic and thermal tripping functions in case of the short circuit and overload.

Table 8

Models	Power Supply	Capacity of circuit breaker (A)	Recommended Cord (pieces× sectional area)
30K	208/230V~60Hz	30	3× 0.0062 sq in
36K	208/230V~60Hz	35	3× 0.0062 sq in
MBRS42HPJ10A	208/230V~60Hz	40	3× 0.0062 sq in

30K

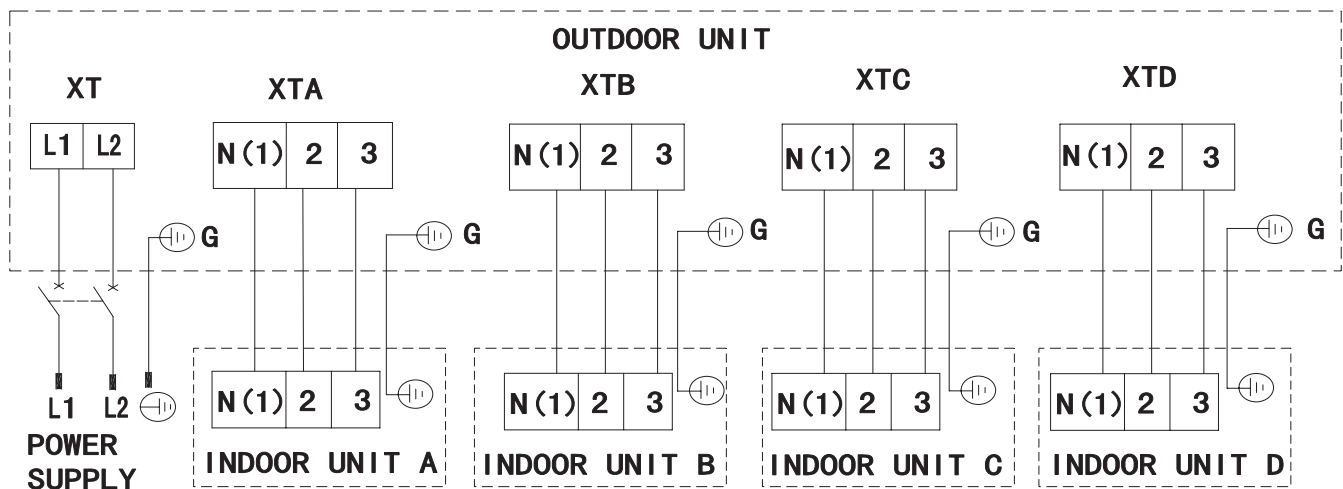


Fig 11



# Free match series

MBRS42HPJ10A

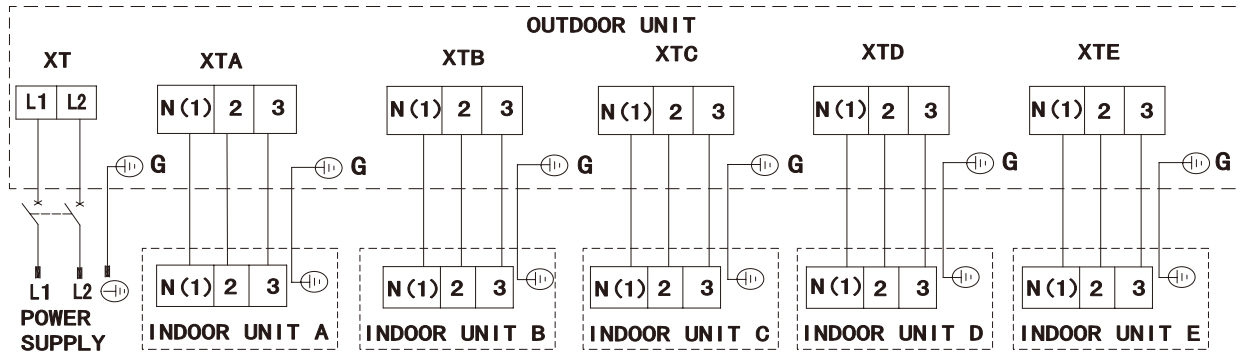


Fig 12

## 4.4.2 Earthing Requirements

(1) The air conditioner is classified into the Class I appliances, so its earthing must be reliable.

(2) The yellow-green line of the air conditioner is the earth line and can not be used for other purpose, cut off or fixed by the tapping screw; otherwise it would cause the hazard of electric shock.

(3) The reliable earth terminal should be provided and the earth wire can not be connected to any of the following places.

①Running water pipe; ②Coal gas pipe; ③Sewage pipe; ④Other places where the professional personnel think unreliable.

## 4.4.3 Electrical Cable Connection

### ⚠ CAUTION

- 1) The mistake connecting line will result in malfunction. After the electrical wiring working, ensure the wire between the connection place and the fixed place has a certain freedom degree.
- 2) The connection piping and connection line of each indoor unit should connect well according to the instruction.
- 3) The electric installation should be carried out by the technician as instructed by the local laws, regulations and also this manual.
- 4) The installation location should be dry, and can't be expose in direct sunlight or strong breeze.
- 5) Have to install a breaker in the circuit that can shut off the main power supply of the system. Besides, the air switch coupled with the leakage current protection switch must be equipped.

## 4.4.4 Wiring of the Power Cord

(1). Open the side plate.

(2). Connect the power cord to the terminals "L1", "L2" and also the earthing screw, and then connect the wiring terminals "N(1),2,3" of the indoor unit to those of the outdoor unit correspondingly. Please use the green bonding screw to connect the earthing cord. The location is showing in the figure 13.

(3). Fix the power cord with wire clips.

(4). Let the power cord go through the rubber ring.

### ⚠ CAUTION

**If the supply cord is damaged, it must be replaced by the manufacturer or its service agent or a similarly qualified person in order to avoid a hazard.**

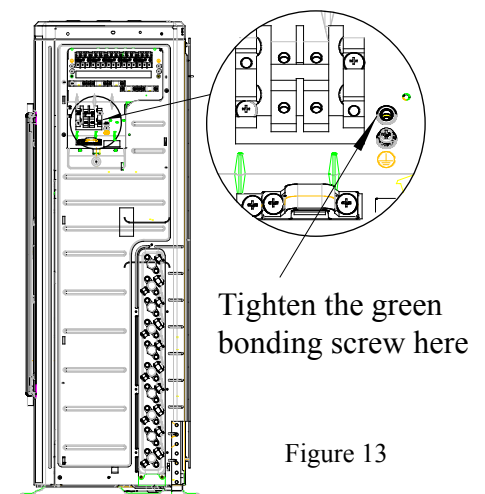


Figure 13

## 5 Troubleshooting

### **WARNING**

- 1) In the event of abnormal conditions (like, stinky smell), please shut off the main power supply immediately and then contact the appointed service center; otherwise the continuous abnormal running would damage the air conditioning unit and also would cause electric shock or fire hazard etc.
- 2) Do not repair the air conditioning personally but instead contact the professionally skilled personnel at the appointed service center, as the incorrect repair would cause electric shock or fire hazard etc.

Check before Contacting Service Center.

Table 9

Check Items	Conditions Might Happen	Check
Has the unit been fixed firmly?	The unit may drop, shake or emit noise.	
Have you done the gas leakage test?	It may cause insufficient cooling/heating capacity.	
Is the unit get proper thermal insulation?	It may cause condensation and dripping.	
Does the unit drain well?	It may cause condensation and dripping.	
Is the voltage in accordance with the rated voltage specified on the nameplate?	It may cause malfunction or damage the part.	
Is the electric wiring and piping connection installed correctly and securely?	It may cause malfunction or damage the part.	
Has the unit been earthed securely?	It may cause electrical leakage.	
Is the power cord specified?	It may cause malfunction or damage the part.	
Has the inlet and outlet been blocked?	It may cause insufficient cooling/heating capacity.	

### ***NOTICE!***

**If the air conditioner still runs abnormally after the above check and handling, please contact the maintenance serviceman at the local appointed service center and also give a description of the error occurred as well as the model of the unit.**

## Free match series

### 6 The conditions listed below are not classified into errors.

Table 10

Conditions		Causes
The unit does not run	When restart the unit soon after it is stopped.	The overload protection switch of the unit let the startup delayed for three minutes.
	As soon as power is on.	The unit will stand by for approximate one minute.
The unit blows out mist	When the cooling operation starts.	The hi-humidity air indoor is cooled quickly.
The unit generates noise	The unit “ clatters” as soon as it starts running.	It is the sound generated during the initialization of the electronic expansion valve.
	The unit “ swishes” during the cooling operation.	It is the sound when the refrigerant gas runs inside the unit.
	The unit “ swishes” when it is started or stopped.	It is the sound when the refrigerant gas stops running.
	The unit “ swishes” when it is in and after the running.	It is the sound when the draining system is operating.
	The unit “ squeaks” when it is in and after the running.	It is the sound of frication generated by the skin plate etc which swells due to the temperature change.
The unit blows out dust.	When the unit restarts after it is not used for a long time.	The dust inside the unit is blown out again.
The unit emits odors.	When the unit is running.	The odors absorbed in are blown out again.

#### **NOTICE!**

**If problem can not be solved after checking the above items, please contact service center and show phenomena and models.**

Following circumstance are not malfunction

Table 11

Malfunction		Reason
Unit doesn't run	When unit is started immediately after it is just turned off	Overload protection switch makes it run after 3 minutes delay
	When power is turned on	Standby operating for about 1 minute
Mist comes from the unit	Under cooling	Indoor high humidity air is cooled rapidly
Noise is emitted	Slight cracking sound is heard when just turned on	It is noise when electronic expansion valve initialization
	There is consecutive sound when cooling	That's sound for gas refrigerant flowing in unit
	There is sound when unit starts or stops	That's sound for gas refrigerant stops to flow
	There is slight and consecutive sound when unit is running or after running	That's sound for operation of drainage system
	Cracking sound is heard when unit is operating and after operating	That's sound caused by expansion of panel and other parts due to temperature change
The unit blows out duct	When unit runs after no operation for a long period	Dust in indoor unit is blew out
The unit emits odor	Operating	The room odor absorbed by the unit is blew out again
Indoor unit still runs after switch off	After every indoor unit receive "stop" signal, fan will keep	Indoor fan motor will keep running 20-70s so as to take good use of excess cooling and heating and prepare for

## Free match series

	running	next operation
Mode conflict	COOL or HEAT mode can not be operated	When the indoor operating mode conflicts with that of outdoor unit, indoor fault indicator will flash and conflict will be shown on the wired controller after 5 minutes. Indoor unit stops to run and meanwhile change outdoor operating mode as the same as that of indoor unit, then the unit will go back to normal. COOL mode doesn't conflict with DRY mode. FAN mode doesn't conflict with any mode.

## Free match series

### 7 Troubleshooting

The error code will be displayed on the wired controller and the main board of the outdoor unit  
The meaning of each error, as shown in table 13.

Table 12

Name of malfunction	The indicator display		
	Yellow light	Red light	Green light
Compressor runs	Flash once		
Defrost	Flash twice		
Anti-freezing protection	Flash 3 times		
IPM protection	Flash 4 times		
AC over-current protection	Flash 5 times		
Over-burden protection	Flash 6 times		
Compressor exhaust high temperature protection	Flash 7 times		
Compressor overload protection	Flash 8 times		
Power protection	Flash 9 times		
EEPROM reads and write protection	Flash 11 times		
Low PN voltage protection	Flash 12 times		
Over voltage protection for PN	Flash 13 times		
PFC protection	Flash 14 times		
PFC module temperature protection	Flash 15 times		
Low pressure protection	Flash 17 times		
High pressure protection	Flash 18 times		
Limit/decline frequency(electric current)		Flash 1 times	
Frequency limit (exhaust)		Flash 2 times	
Frequency limit (Over-burden)		Flash 3 times	
Outdoor ambient sensor malfunction		Flash 6 times	
Outdoor tube sensor malfunction		Flash 5 times	
Exhaust sensor malfunction		Flash 7 times	
Attain the temperature of switch on		Flash 8 times	
Frequency limit(power)		Flash 13 times	
Outdoor fan malfunction		Flash 14 times	
Frequency limit(PFC module temperature)		Flash 15 times	
PFC module sensor malfunction		Flash 16 times	
Liquid pipe temperature sensor malfunction of A		Flash 17 times	
Gas pipe temperature sensor malfunction of A		Flash 18 times	
Liquid pipe temperature sensor malfunction of B		Flash 19 times	
Gas pipe temperature sensor malfunction of B		Flash 20 times	
Liquid pipe temperature sensor malfunction of C		Flash 21 times	
Gas pipe temperature sensor malfunction of C		Flash 22 times	
Liquid pipe temperature sensor malfunction of D		Flash 23 times	
Gas pipe temperature sensor malfunction of D		Flash 24 times	
Liquid pipe temperature sensor malfunction of E		Flash 25 times	
Gas pipe temperature sensor malfunction of E		Flash 26 times	
Exit of the condenser tube sensor malfunction		Flash 27 times	
Correspondence is normal			Flash n times (n=indoor unit number)
Communication failure between indoor unit and outdoor unit			Often bright (indoor unit all Communication failure)

---

## 8 Maintenance

Regular check, Maintenance and care should be performed by professional personnel, which will prolong the unit life span.

### 8.1 Outdoor heat exchanger

Outdoor heat exchanger is required to be cleaned once every two months. Use vacuum cleaner with nylon brush to clean up dust and sundries on the surface of heat exchanger. Blow away dust by compressed air if it is available. Never use water to wash the heat exchanger.

### 8.2 Drain Pipe

Regularly check if the drain pipe is clogged in order to drain condensate smoothly.

### 8.3 Notice before Seasonal Use

- (1) Check if the inlet/outlet of the indoor/outdoor unit is clogged.
- (2) Check if the ground wire is earthed reliably.
- (3) Check if battery of remote wireless controller has been replaced.
- (4) Check if the filter screen has been set soundly.
- (5) After long period of shutdown, open the main power switch 8 hours before re-operating the unit so as to preheat the compressor crankcase.
- (6) Check if the outdoor unit is installed firmly. If there is something abnormal, please contact the appointed service center.

### 8.4 Maintenance after Seasonal Use

- (1) Cut off main power supply of the unit.
- (2) Clean filter screen and indoor and outdoor units.
- (3) Clean the dust and sundries on the indoor and outdoor units.
- (4) In the event of rusting, use the anti-rust paint to stop spreading of rust.

### 8.5 Parts Replacement

Purchase parts from appointed service center or dealer if necessary.

#### ***NOTICE!***

**During airtight and leakage test, never mix oxygen, ethyne and other dangerous gas into refrigeration circuit. In case of hazard, it's better to use nitrogen or refrigerant to accomplish such test.**

### 9 After-sales Service

In case the air-conditioning unit you bought has any quality problem or you have any inquiry, please contact the local after-sales service agency designated by us.

Warranty should meet the following requirements:

- (1) First run of the unit should be operated by professional personnel from appointed service center.
- (2) Only our manufactured accessories can be used on the machine.
- (3) All the instructions listed in this manual should be followed.
- (4) Warranty will be automatically invalid if fails to obey any item mentioned above.

Boreal International a Watsco Inc. subsidiary

borealsales@borealintl.com, www.borealintl.com,

10300 NW 19th St. #105, Doral, FL 33172, 786-621-8250



66129935471