





SUBMITTAL DATA

3BRS09HPJ1IA / 3BRS09HPJ1OA
9000 BTU/H Wall Mounted Heat Pump System

Job Name			
Purchaser	3BRS09HPJ1IA		
Submitted to			
Unit Designation	3BRS09HPJ1OA		
Location	Date		
Engineer			
For	YAP1FB2F		
Schedule No.	XE71 (Optional)		

GENERAL FEATURES

- AHRI Certificate: [211174331](#)
- High Efficiency DC Inverter Technology
- Compact and Quiet Design
- Wireless Remote with LCD Display
- Wired Controller Options
- Wi-Fi Included
- Low Ambient Cooling down to 0°F (Range 0°F to 115°F)
- Low Ambient Heating down to -13°F (Range -13°F to 75°F)
- Coil (Indoor and Outdoor) Copper Tube / Aluminum Fin
- Blue Colored Fin - 500 Hrs Salt Spray Tested

SPECIFICATIONS, FEATURES & FUNCTION SUMMARY

SPECIFICATIONS 3BRS09HPJ11A / 3BRS09HPJ10A

System Type HEAT PUMP

SYSTEM PERFORMANCE

Cooling	Min - Max	Btu/h	2800 - 10300
	Capacity @95°F	Btu/h	9100
Heating	Min - Max	Btu/h	2200 - 12200
	Capacity @5°F	Btu/h	
	Capacity @17°F	Btu/h	6000
	Capacity @47°F	W	10000
SEER2			19.5
EER2			11.3
HSPF2			8.6
COP @5°F			
COP @47°F			3.6
Cooling Temperature Range	°F		0 - 115
Heating Temperature Range	°F		-13 - 75
Refrigerant Type			R410A

INDOOR UNIT 3BRS09HPJ11A

Air flow (Min-Max)	CFM	159 - 353
Sound Pressure Level (Min - Max)	dB(A)	26 - 41
Dehumidification	pt/hr	1.69
External Dimensions (WxHxD)	in	32-7/8 x 10-7/8 x 7-7/8
Package Dimension (W x H x D)	in	35-1/4 x 13-5/8 x 10-11/16
Net Weight	lbs	19.8
Gross Weight	lbs	24.3

OUTDOOR UNIT 3BRS09HPJ10A

Compressor Type		G-10 / 2 - STAGE INVERTER
Sound Pressure Level	dB(A)	51
External Dimensions (W x H x D)	in	28-13/16 x 21-7/8 x 13
Package Dimension (W x H x D)	in	31-5/16 x 24-3/4 x 14-13/16
Net Weight	lbs	56.2
Gross Weight	lbs	61.7

REFRIGERANT PIPING

Refrigerant Charge - R410A	oz	24.7
Additional Charge	oz/ft	0.2
Line Set Size (Liquid - Gas) - Flared Connections	in	1/4 - 3/8
Pre-Charge Length	ft	25
Pipe Length (Min - Max)	ft	10 - 66
Max. Pipe Elevation	ft	40

ELECTRICAL

Power Supply		115V / 1Ph / 60Hz
Voltage Range (Min - Max)	VAC	103 - 127
Rated Current - Cooling	A	17.5
Rated Current - Heating	A	18
MCA	A	16
MOCP	A	20
Suggested Breaker Size	A	20
Main Power Wire Size	AWG	Per Local Code
Interconnecting Wire Size	AWG	14 / 4

FEATURES & FUNCTIONS SUMMARY 3BRS09HPJ11A / 3BRS09HPJ10A

SYSTEM FEATURES

Inverter Type	G10
Ultra Low Frequency Torque Control	Yes
Power Factor Correction	Yes
Compressor Type	High Efficiency Rotary
Refrigerant Type	R410A
Basepan With Electric Heater	Yes
Compressor With Electric Heater	Yes
Outdoor Fin Coating (Color:Blue)	Acrylic-Resin/Anti-Corrosive
Intelligent Defrosting	Yes
Force Defrosting	Yes
Intelligent Preheating	Yes
Low Voltage Startup	Yes
Memory/Power Failure Recovery	Yes
Self Diagnosis	Yes
Wired Controller Interface (XE71)	Yes
WiFi Included	Yes
Indoor Fan Type	Crossflow
Multi Fan Speeds	4 Speeds
Indoor Unit Display	Yes
Auxiliary Electrical Heater	No
Ventilation (Outdoor Air)	No

REMOTE CONTROLLER FUNCTIONS

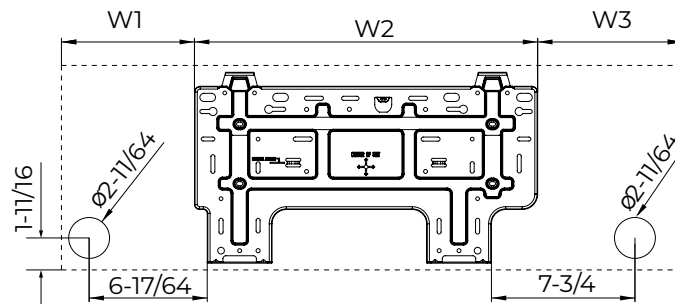
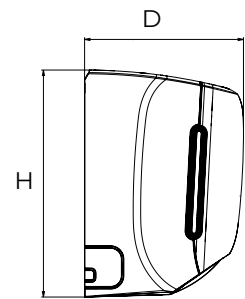
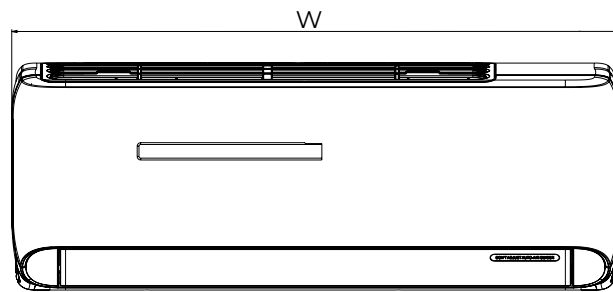
Auto Mode	Yes
Auto Fan	Yes
Manual Horizontal Swing	Yes
Auto Swing (Vertical Auto Swing)	Yes
Clock on Remote Controller	Yes
Dry Mode	Yes
Dry Anti-Mildew (X-Fan) Mode	Yes
Energy Saving Mode	Yes
Dirty Filter Alert	No
I Feel Function	Yes
Lock on Remote Controller	Yes
Quiet Mode	No
Room Temperature Display	Yes
Sleep Mode	Yes
Timer Mode	Yes
Turbo Mode	Yes
Display On/Off Control	Yes
Freeze Guard Mode (46°F)	Yes
Display On/Off Control	Yes

DIMENSIONS

INDOOR UNIT

Unit: inch

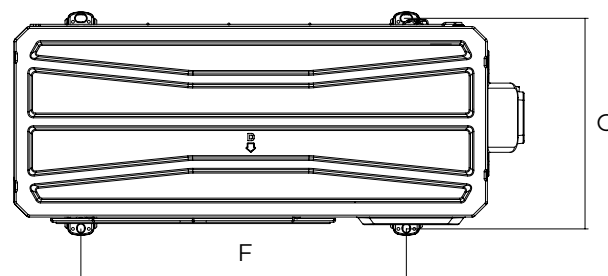
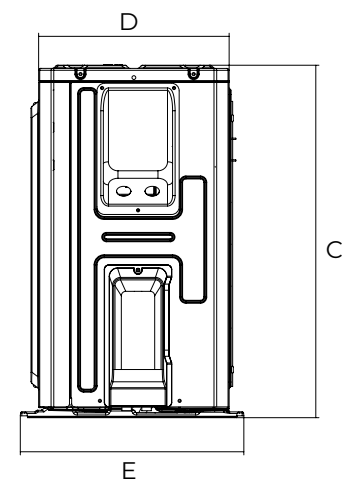
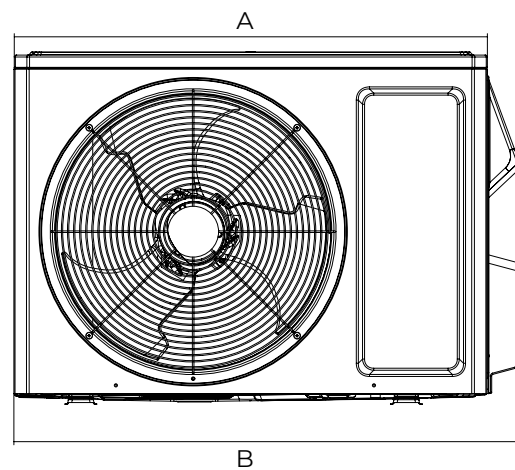
3BRS09HPJ1A	
DIMENSIONS	
W	32-7/8
H	10-7/8
D	7-7/8
W1	7-3/64
W2	18-5/32
W3	7-11/16



OUTDOOR UNIT

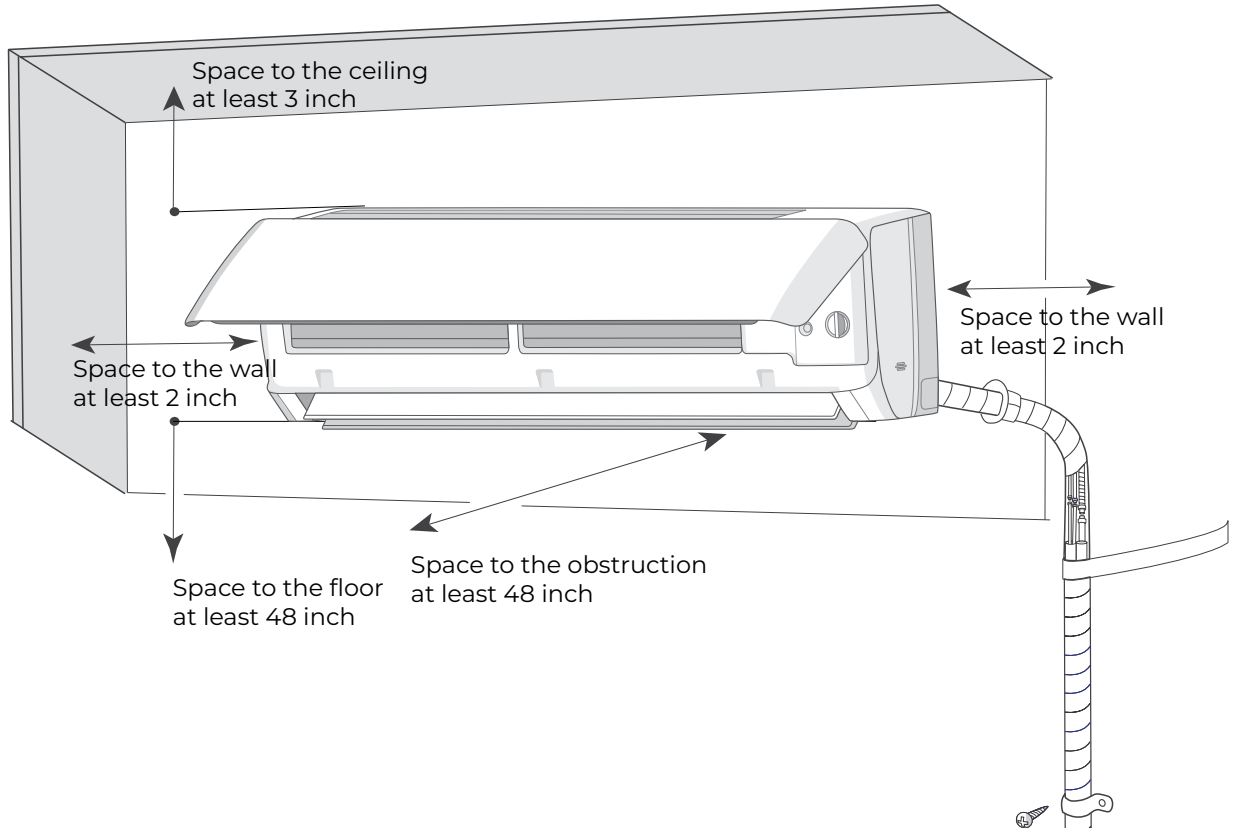
Unit: inch

3BRS09HPJ1OA	
DIMENSIONS	
A	26-37/64
B	28-13/16
C	21-7/8
D	11-7/32
E	13
F	17-29/32
G	12-13/64



CLEARANCES

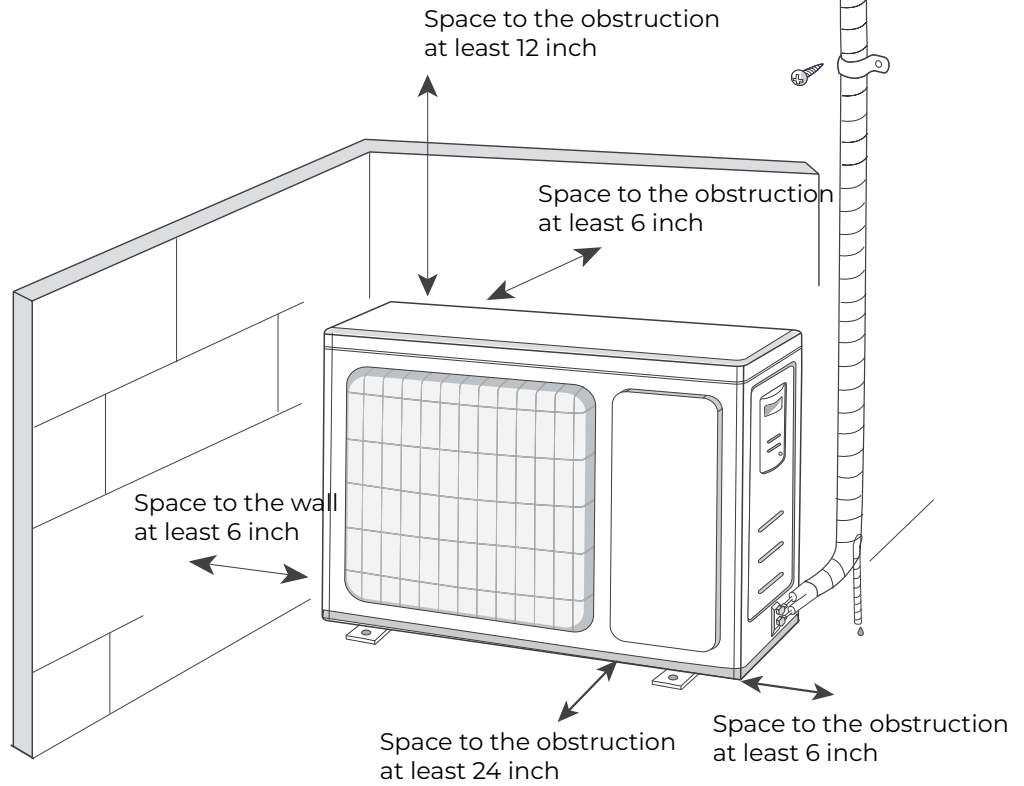
INDOOR UNIT Minimum clearance



OUTDOOR UNIT Minimum clearance

NOTE:
If bottom of the unit is free of airflow obstructions similar to the mounting bracket figure, the clearance to the wall on the back can be reduced to 3 inches.

This inset diagram shows a close-up of a mounting bracket with a 3-inch clearance from the wall to the back of the unit.



Specifications are subject to change without notice. Manufacturer reserves the right to discontinue or modify specifications or designs without notice or without incurring obligations. All Rights reserved.