

PARTS MANUAL



Indoor Unit

MODELS:

ENVBR24HPJ1IB
ENVBR36HPJ1IB
ENVBR48HPJ1IB
ENVBR60HPJ1IB

Outdoor Unit

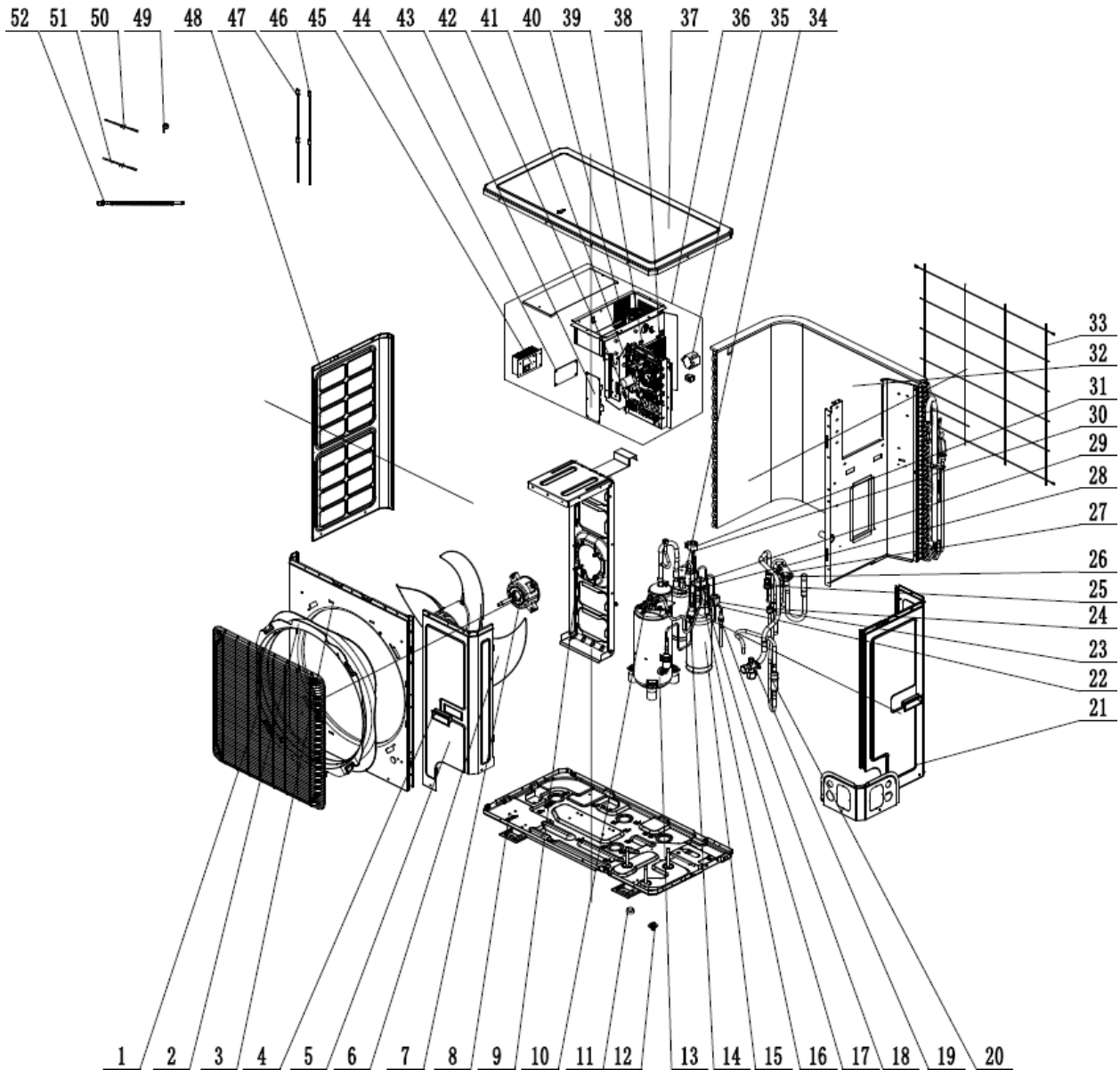
MODELS:

ENVBR36HPJ1OA
ENVBR60HPJ1OA

—
—

Thank you for choosing our product.
Please read this Installation & Owner's Manual carefully before
operation and retain it for future reference.

If you lose this Manual, please contact your local distributor or
visit www.greecomfort.com/resources now to download and
file the electronic version.

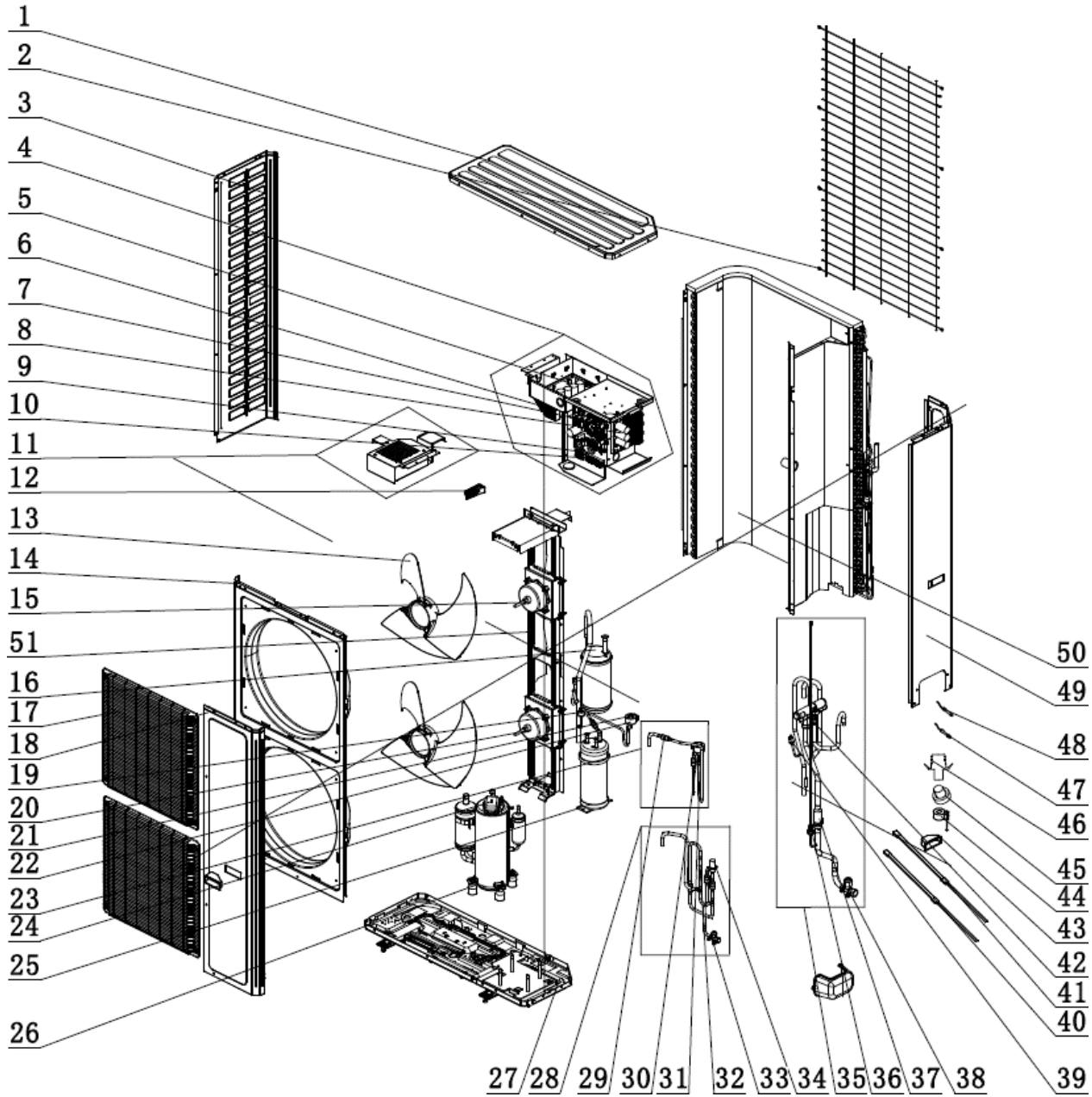


NO.	Part Description	Qty	Part Code
1	Front Grill	1	0157280000301
2	Diversion Circle	1	10474100003
3	Cabinet	1	012022000003P03
4	Handle	2	2690410001603
5	Front Side Plate	1	012050000007P03
6	Axial Flow Fan	1	1043410000801
7	DC Fan Motor	1	150104060013
8	Chassis Sub-Assy	1	01700006008907P
9	Motor Support Sub-Assy	1	01701206003901
10	Cut off Valve -3/8	1	071302391
11	Drainage hole Cap	3	76715005
12	Drainage Joint (Drain Hose Adapter)	1	26113009
13	Compressor and Fittings	1	009001060125
14	Filter Strainer (Liquid Line Cut-Off Valve)	2	0721004501
15	Accumulator	1	035029000003
Not Shown	Electromagnetic Valve Sub-Assy		030025060094
16	Electromagnetic Valve	1	43003091
17	Magnet Coil (Electromagnetic Valve)	1	4304000467
18	Filter Strainer (Compressor Suction)	1	0721304401
19	Cut off Valve -3/4	1	07330000001
20	Silencer	1	07245012
21	Rear Side Plate	1	012076000021P03
22	Electronic Expansion Valve	1	43005017
23	Electric Expand Valve Fitting	1	4300034404
24	Hi-Pressure Protect Switch 4.6/3.8MPa	1	4602000603
25	Hi-Pressure Sensor	1	43004400001501
26	4-way Valve	1	4300008201
27	Filter Strainer (Accumulator Suction)	1	07224803
28	Filter Strainer (Electromagnetic Valve)	2	07216221
29	One Way Valve	1	07133618
30	Electronic Expansion Valve	1	43005017
31	Electric Expansion Valve Coil	1	43000344
32	Condenser Assy	1	01100206019001
33	Rear Grill	1	0157410001402
34	Gas-liquid Separator	1	07223048
35	Inductance	1	43128000014

No.	Parts Description	Qty	Part Code
36	Electric Box Assy	1	100002065509
37	Coping	1	01264100052P03
38	Drive Board	1	300027060524
39	Main Board	1	300027060636
40	PFC Inductance	1	43120011
41	Terminal Board (6 Post)	1	4201025502
42	Terminal Board (3 Post)	1	422000000015
43	Filter Board	1	300020060028
44	Power Switch	1	300012060016
45	Radiator	1	430034000048
46	Electrical Heater (Chassis)	1	7651000413
47	Electrical Heater (Compressor)	1	7651521238
48	Left Side Plate	1	012055000007P03
49	4 Way Valve Coil	1	4300040094
50	Temperature Sensor (4-Way Valve)	1	3900007201
51	Temperature Sensor (Discharge, Coil, & Ambient)	1	39008000049G
52	Corrugated Pipe (Optional)	0	none

ASSEMBLIES

Not Shown	Electromagnetic Valve Sub-Assy		030025060094
22	Electromagnetic Valve	1	43003091
23	Magnet Coil (electromagnetic valve)	1	4304000467
Not Shown	4-way Valve Assy	1	030152060295
26	4-way Valve	1	4300008201
49	4 Way Valve Coil	1	4300040094



NO.	Parts Description	Qty	Part Code
1	Coping (Top Cover)	1	01265356P03
2	Rear Grill	1	0157520501
3	Left Side Plate	1	01315366P02
4	Electric Box Assy	1	100002072979
5	Driver Board	1	300078060066
6	Radiator	1	430034000032
7	Main Board	1	300027060636
8	Filter board	1	300020060032
9	Terminal Board (3 Post Power)	1	422000000015
10	Terminal Board (6 Post)	1	4201025504
11	Inductance Box Assy	1	000221060023
12	Handle	1	2623305301
13	Axial Flow Fan	2	10335008
14	Cabinet	1	01515204P02
15	DC Fan Motor (Upper)	1	1570280000410
16	Gas-liquid Separator Sub-Assy	1	0722501801
17	Front Grill	2	01600400000601
18	Front Side Plate	1	01315364P02
19	Lo-Pressure Protect Switch 0.05/0.15MPa	1	46020007
20	DC Fan Motor (Lower)	1	1570280000403
21	Electromagnetic Valve	1	43003091
22	Electric Expand Valve Fitting	1	4300034501
23	Electric Expansion Valve Sub-Assy	1	030026060648
24	Compressor and Fittings	1	009001000266
25	Accumulator	1	07424100031
26	Foot (Compressor Isolator)	2	01215004
27	Chassis Sub-Assy	1	017080060140P
28	Cut off Valve Sub-Assy	1	030057060280
29	Filter Strainer (Electromagnetic Valve)	6	07216221
30	Magnet Coil (electromagnetic valve)	1	4304000488
31	Electric Expand Valve Fitting	1	4300034502
32	One Way Valve	1	07133618
33	Cut off Valve -3/4	1	07130212
34	Electronic Expansion Valve	2	072009060004
35	4-Way Valve Assy	1	030152060548
36	Pressure Sensor	1	43004400001503

No.	Parts Description	Qty	Part Code
37	Filter Strainer (4-Way Valve)	1	07210037
38	Cut off Valve -3/8	1	07130209
39	Hi-Pressure Protect Switch 4.6/3.8MPa	1	4602000603
40	Electrical Heater (Chassis)	1	7651000417
41	Electrical Heater (Compressor)	3	7651521246
42	4-way Valve	1	43000338
43	Handle	2	2623525309
44	4 Way Valve Coil	1	4300040094
45	Drainage hole Cap	3	06813401
46	Drainage Joint (Drain Hose Adapter)	1	06123401
47	Temperature Sensor (Discharge, Coil, & Ambient)	1	3900028025G
48	Temperature Sensor (4-Way Valve)	1	3900007201
49	Rear Side Plate Sub-Assy	1	017051060121P
50	Condenser Assy	1	000100060341
51	Motor Support Sub-Assy	1	01805200246

ASSEMBLIES

4	Electric Box Assy	1	100002072979
5	Driver Board	1	300078060066
6	Radiator	1	430034000032
7	Main Board	1	300027060636
8	Filter board	1	300020060032
9	Terminal Board (3 Post Power)	1	422000000015
10	Terminal Board (6 Post)	1	4201025504
23	Electric Expansion Valve Sub-Assy		030026060648
29	Filter Strainer (Electromagnetic Valve)	6	07216221
30	Magnet Coil (electromagnetic valve)	1	4304000488
31	Electric Expand Valve Coil	1	4300034502
28	Cut off Valve Sub-Assy		030057060280
32	One Way Valve	1	07133618
33	Cut off Valve -3/4	1	07130212
34	Electronic Expansion Valve	2	072009060004

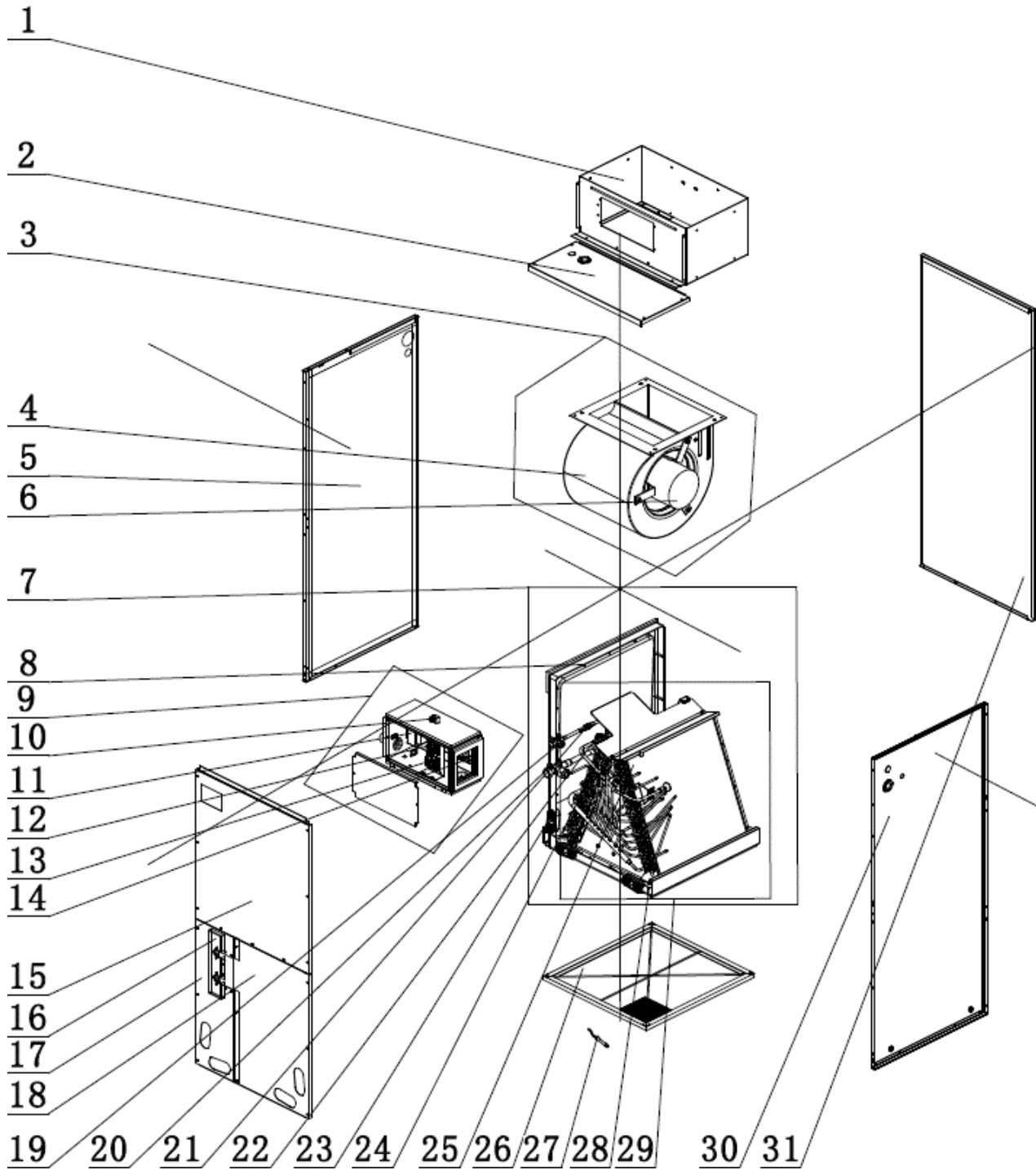


ENVBR60HPJ10A



ASSEMBLIES (CONT.)

35	4-Way Valve Assy	1	030152060548
36	Pressure Sensor	1	43004400001503
37	Filter Strainer (4-Way Valve)	1	07210037
38	Cut off Valve -3/8	1	07130209
39	Hi-Pressure Protect Switch 4.6/3.8MPa	1	4602000603
42	4-way Valve	1	43000338

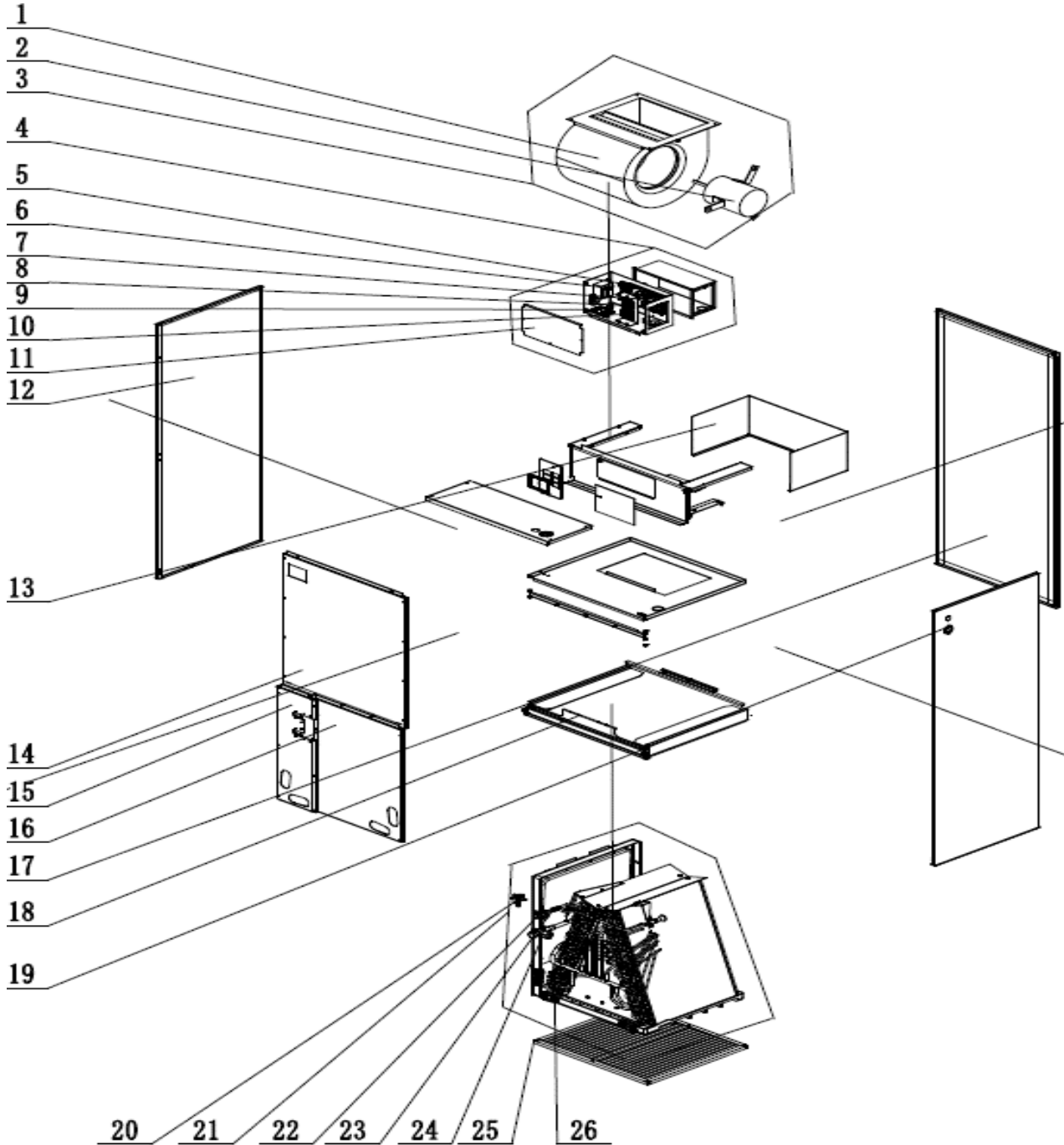


NO.	Part Description	Qty	Part Code
5	Side Plate	1	012010060972
2	Top Cover Sub-Assy	1	000051060106
3	Centrifugal fan Assy	1	000052060415
4	Centrifugal Fan Housing	1	1570220201
6	Brushless DC Motor	1	15010400001401
	Left Side Plate Sub-Assy	1	01312200015
NS	Water Tray Assy	1	000069060335
8	Water Tray	1	2690220501
9	Electric Box Assy	1	100002070100
10	Terminal Board (1 Post)	1	42011147
11	Transformer	1	43110286
12	Terminal Board (6 Post)	1	4201025503
13	Terminal Board (2 Post)	1	42000100000102
14	Main Board	1	300002061591
15	Top Cover Board Sub-Assy	1	01262200019
16	Bottom Cover Plate Assy	1	000133060017
17	Bottom Cover Plate Assy	1	000133060018
18	Bottom Cover Plate 2	1	01262200017
19	Cut off Valve -3/8	1	071302391
20	Thermal Expansion Valve	1	071017060022
21	Cut off Valve -3/4	1	070001000009
22	Filter Strainer (Liquid Line)	2	0721200102
23	Choke Plug	8	76718209
24	Evaporator assembly (left)	1	010001060291
25	Evaporator assembly (right)	1	010001060292
26	Air Filter Sub-Assy	1	111001060160
27	Temperature Sensor	1	390001923
28	Evaporator Assy Parts	1	011001061481
29	Water Tray	1	2690220401
30	Right Side Plate	1	012056060205P
31	Rear Side Plate Sub-Assy	1	01312200019

ASSEMBLIES

3	Centrifugal fan Assy	1	000052060415
4	Centrifugal Fan Housing	1	1570220201
5	Brushless DC Motor	1	15010400001401

ENVBR48HPJ1IB
ENVBR60HPJ1IB



NO.	Part Description	Qty	Part Code
1	Centrifugal Fan Housing	1	1570220301
2	DC Fan Motor	1	15010400001301
3	Centrifugal Fan Assy	1	000052060413
4	Electric Box Assy	1	100002070100
5	Terminal Board (1 Post)	1	42011147
6	Transformer	1	43110286
7	Main Board	1	300002061591
8	Terminal Board (6 Post)	1	4201025503
9	Pinboard	0	none
10	Terminal Board (2 Post)	1	42000100000102
11	Electric Box Cover	1	012020060452
12	Left Side Plate Sub-Assy	1	017037060170
13	Air Scroll	1	012277060111
14	Top Cover Board Sub-Assy	1	017011060115
15	Bottom Cover Plate	1	017010060042P
16	Bottom Cover Plate 2	1	01262200026
17	Rear Side Plate Sub-Assy	1	017051060118
18	Water Tray Assy	1	000069060357
19	Right Side Plate Sub-Assy	1	000130060099
20	Thermal Expansion Valve	1	071017060028
21	Evaporator Assy	1	011001061545
22	Cut off Valve -3/8	1	071302391
23	Filter Strainer (Liquid Line)	3	0721200102
24	Cut off Valve -3/4	1	070001000009
25	Filter Sub-Assy	1	111001060188
26	Choke Plug	8	76718209

ASSEMBLIES

1	Centrifugal Fan Housing	1	1570220301
2	DC Fan Motor	1	15010400001301
3	Centrifugal Fan Assy	1	000052060413

4	Electric Box Assy	1	100002070100
5	Terminal Board	1	42011147
6	Transformer	1	43110286
7	Main Board	1	300002061591



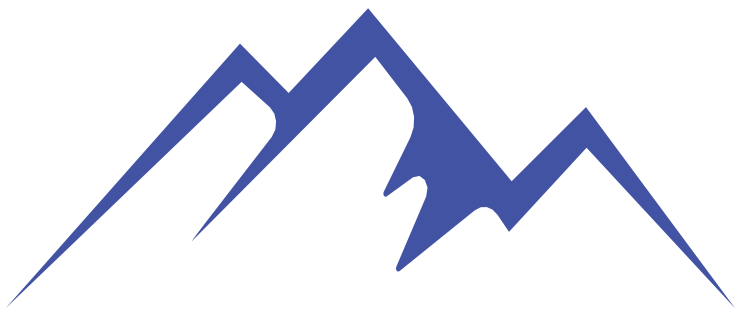
ENVBR48HPJ1IB
ENVBR60HPJ1IB



ASSEMBLIES (CONT.)

8	Terminal Board	1	4201025503
9	Pinboard	0	none
10	Terminal Board	1	42000100000102
11	Electric Box Cover	1	012020060452

14	Top Cover Board Sub-Assy	1	017011060115
21	Evaporator Assy	1	011001061545
22	Cut off Valve	1	071302391
23	Strainer	3	0721200102
24	Cut off Valve	1	070001000009
26	Choke Plug	8	76718209



BOREAL

elevate your comfort

U.S. CONTACT INFORMATION TRADEWINDS, LLC

E-mail: info@twclimate.com

Contractor Support: 888-850-7928 | Mon-Fri 8 AM - 5 PM EDT

borealheatpumps.com