

SUBMITTAL DATA

BDUCT24HPJ1DA / KULA24HPJ1OB
24000 BTU/H Slim Duct (HS) Heat Pump System

Job Name

Purchaser

Submitted to

Unit Designation

Location

Date

Engineer

For

Schedule No.



BDUCT24HPJ1DA



KULA24HPJ1OB



YAP1FB2F



XE71

GENERAL FEATURES

- AHRI Certificate: -
- High Efficiency DC Inverter Technology
- Compact and Quiet Design
- Slim Line Construction 11 7/8" high
- High Static E.S.P Capability - Adjustable
- Internal Condensate Drain Pump
- Flexible Return Air From Bottom Or Rear
- Wireless Remote with LCD Display Included
- Wired Controller Included
- Low Ambient Cooling down to -20°F (Range -20°F to 122°F)
- Low Ambient Heating down to -22°F (Range -22°F to 86°F)
- Coil (Indoor and Outdoor) Copper Tube / Aluminum Fin
- Blue Colored Fin - 500 Hrs Salt Spray Tested

SPECIFICATIONS, FEATURES & FUNCTION SUMMARY

SPECIFICATIONS BDUCT24HPJ1DA / KULA24HPJ1OB

System Type HEAT PUMP

SYSTEM PERFORMANCE

Cooling	Min - Max	Btu/h	3200 - 28000
	Capacity @95°F	Btu/h	24000
Heating	Min - Max	Btu/h	4000 - 29000
	Capacity @5°F	Btu/h	
	Capacity @17°F	Btu/h	
	Capacity @47°F	W	27000
SEER2			20.0
EER2			13.1
HSPF2			9.0
COP @5°F			
COP @47°F			3.9
Cooling Temperature Range	°F		-20 - 122
Heating Temperature Range	°F		-22 - 86
Refrigerant Type			R410A

INDOOR UNIT BDUCT24HPJ1DA

Air flow (Min-Max)	CFM	406 - 736
External Static Pressure	In W.c.	0.8
Sound Pressure Level (Min - Max)	dB(A)	28 - 42
Dehumidification	pt/hr	5.3
External Dimensions (W x H x D)	in	44-1/2 x 11-7/8 x 29-3/4
Package Dimension (W x H x D)	in	47-5/16 x 13-5/8 x 32
Net Weight	lbs	93
Gross Weight	lbs	107

OUTDOOR UNIT KULA24HPJ1OB

Compressor Type	GREE G-10 / 2 - STAGE INVERTER	
Sound Pressure Level	dB(A)	62
External Dimensions (W x H x D)	in	39-3/8 x 29-3/8 x 16-13/16
Package Dimension (W x H x D)	in	42-9/16 x 31-15/16 x 19-1/16
Net Weight	lbs	125.7
Gross Weight	lbs	136.7

REFRIGERANT PIPING

Refrigerant Charge - R410A	oz	60
Additional Charge	oz/ft	0.5
Line Set Sized by Indoor Unit (Liquid - Gas)	in	3/8 - 5/8
Outdoor Service Valve Size (Liquid - Gas)	in	1/4 - 5/8
Pre-Charge Length	ft	25
Pipe Length (Min - Max)	ft	10 - 131
Max. Pipe Elevation	ft	82

ELECTRICAL

Power Supply	208-230V / 1Ph / 60Hz (Powered by the Outdoor Unit)	
Voltage Range (Min - Max)	VAC	187 - 253
Rated Current - Cooling	A	15.3
Rated Current - Heating	A	13.5
MCA	A	16
MOCP	A	25
Suggested Breaker Size	A	20
Main Power Wire Size	AWG	Per Local Code
Interconnecting Wire Size	AWG	14 / 4

FEATURES & FUNCTIONS SUMMARY BDUCT24HPJ1DA / KULA24HPJ1OB

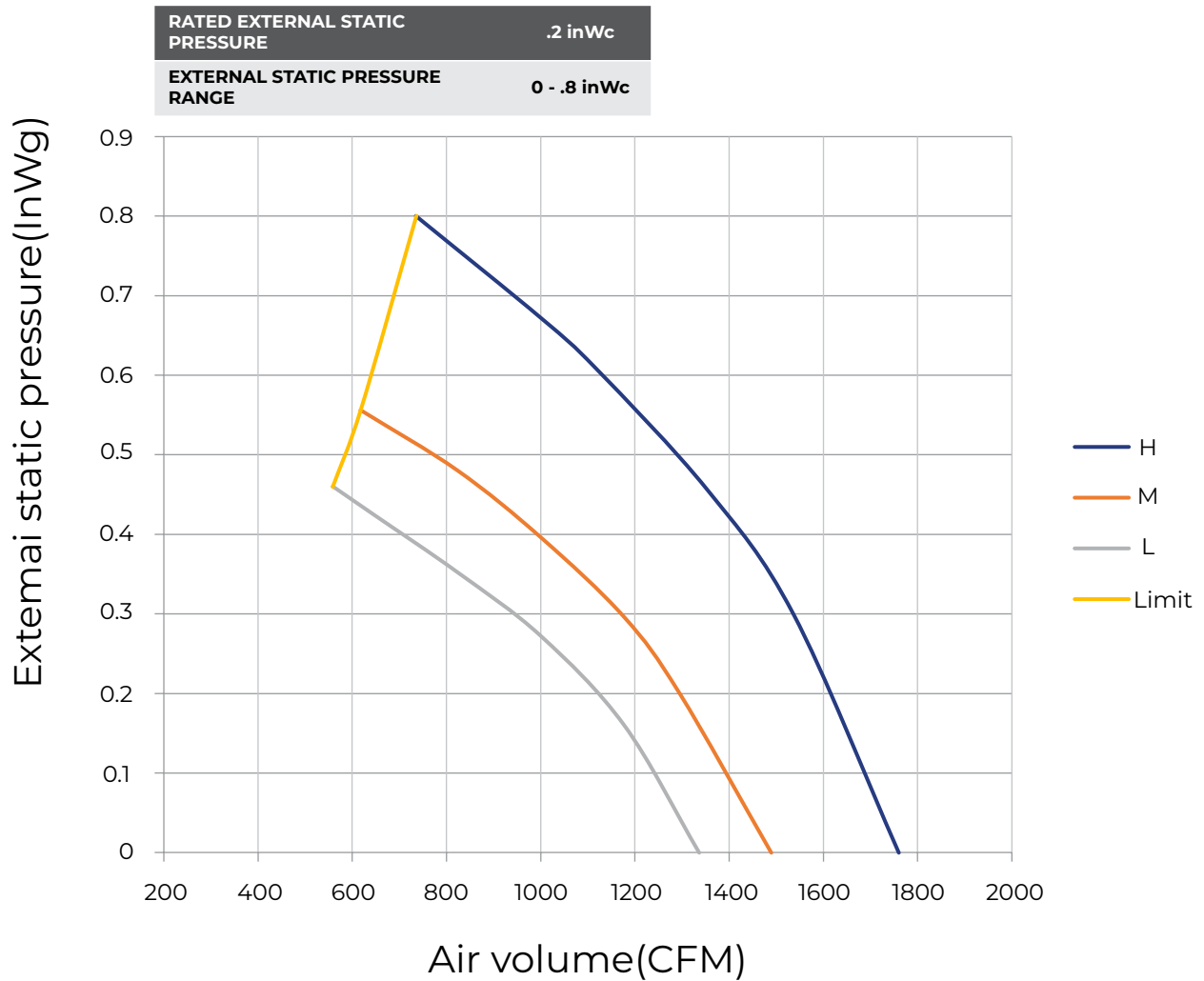
SYSTEM FEATURES

Inverter Type	G10
Ultra Low Frequency Torque Control	Yes
Power Factor Correction	Yes
Compressor Type - Inverter	High Efficiency Rotary
Basepan With Electric Heater	Yes
Indoor & Outdoor Fin Coating (Blue Fin)	Yes
Intelligent Defrosting	Yes
Intelligent Preheating	Yes
Low Voltage Startup	Yes
Memory/Power Failure Recovery	Yes
Self Diagnosis	Yes
Wired Controller Interface	Yes
WiFi Included	No
Indoor Fan Type	Centrifugal
Multi Fan Speeds	4 Speeds
Indoor Unit Display	Yes
Auxiliary Electrical Heater	No
Ventilation (Outdoor Air)	Yes

REMOTE CONTROLLER FUNCTIONS

Auto Mode	Yes
Auto Fan	Yes
Auto Swing (Horizontal Auto Swing)	No
Auto Swing (Vertical Auto Swing)	No
Clock	Yes
Dry Mode	Yes
Dry Anti-Mildew (X-Fan) Mode	Yes
Energy Saving Mode	Yes
Dirty Filter Alert	No
Fan Speed Control (4 Speeds)	Yes
I Feel Function	Yes
Privacy Lock	Yes
Quiet Mode	Yes
Room Temperature Display	No
Sleep Mode (Normal Sleep)	Yes
4 Sleep Mode Options	No
Timer Mode	Yes
Turbo Mode	Yes
Display On/Off Control	No
Freeze Guard Mode	Yes
Power Failure Mode	Yes

FAN PERFORMANCE



NOTE:

During installation there are 9 dip switches in the control box used set static pressure from 0" to .8". You can select P01, P02, P03, P04, P05, P06, P07, P08, P09 in fan mode of indoor fan motor, which means different fan mode combinations are corresponding to different static pressure.

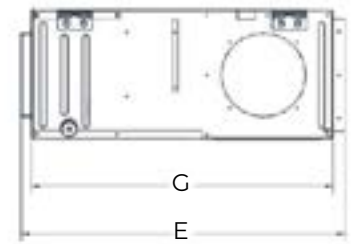
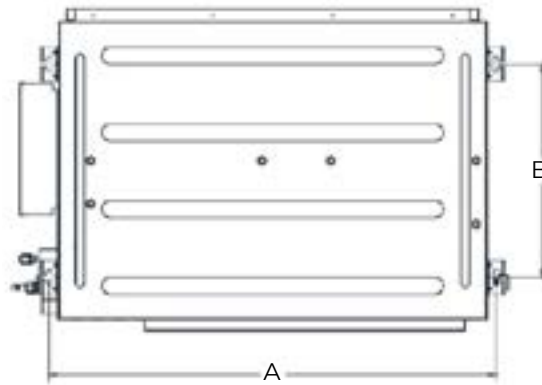
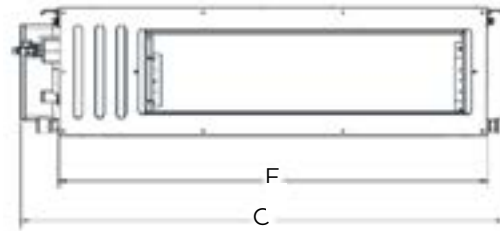
Ex-factory defaulted mode is P05. You can set the mode through wired controller. S01, S02, S03.....S12, S13 means the rotation speed of indoor unit is from low to high.

DIMENSIONS

INDOOR UNIT

Unit: inch

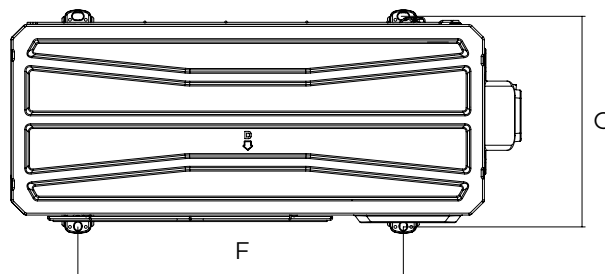
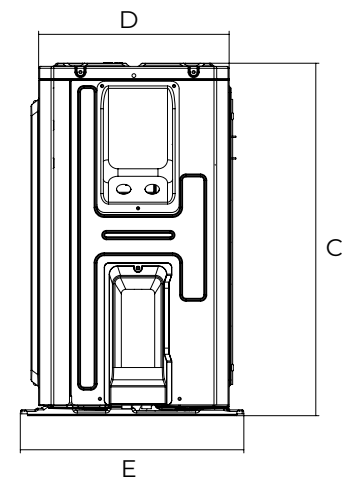
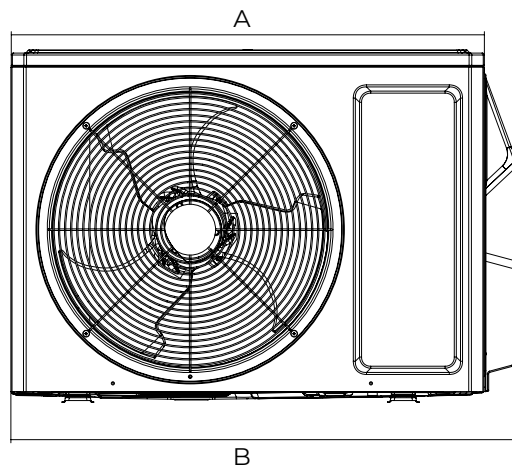
BDUCT24HPJ1DA	
DIMENSIONS	
A	41
B	19-3/4
C	44-1/2
D	11-7/8
E	29-3/4
F	39-3/8
G	27-5/8



OUTDOOR UNIT

Unit: inch

KULA24HPJ1OB	
DIMENSIONS	
A	36-11/32
B	39-3/8
C	29-3/8
D	14-17/32
E	16-13/16
F	24-1/64
G	15-35/64

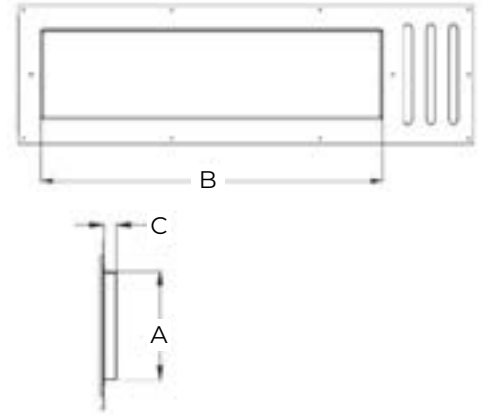
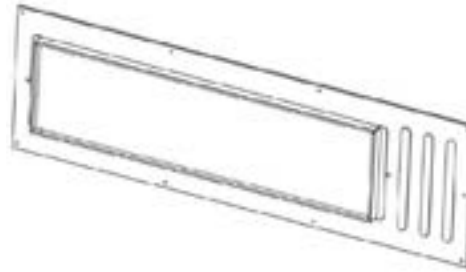


SUPPLY AND RETURN AIR OPENING DIMENSIONS

AIR OUTLET

Unit: inch

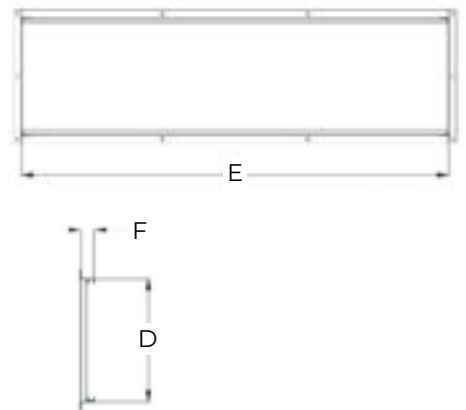
BDUCT24HPJ1DA	
DIMENSIONS	
A	7-5/8
B	29-9/16
C	1



AIR-RETURN OPENING

Unit: inch

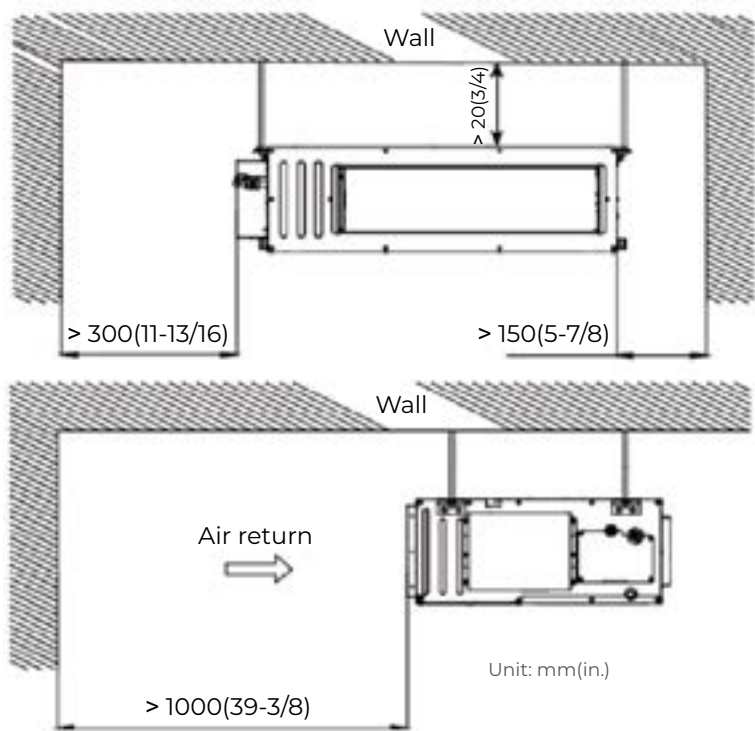
BDUCT24HPJ1DA	
DIMENSIONS	
D	10-3/8
E	37-3/4
F	1-1/8



CLEARANCES

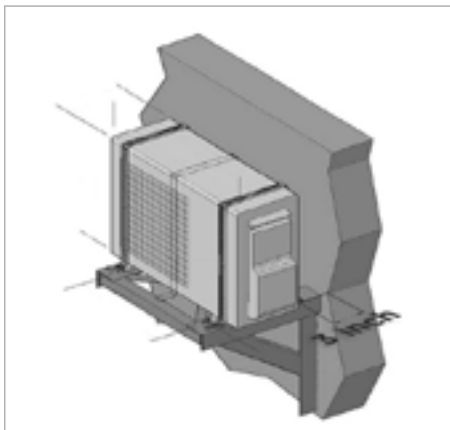
INDOOR UNIT

Minimum clearance

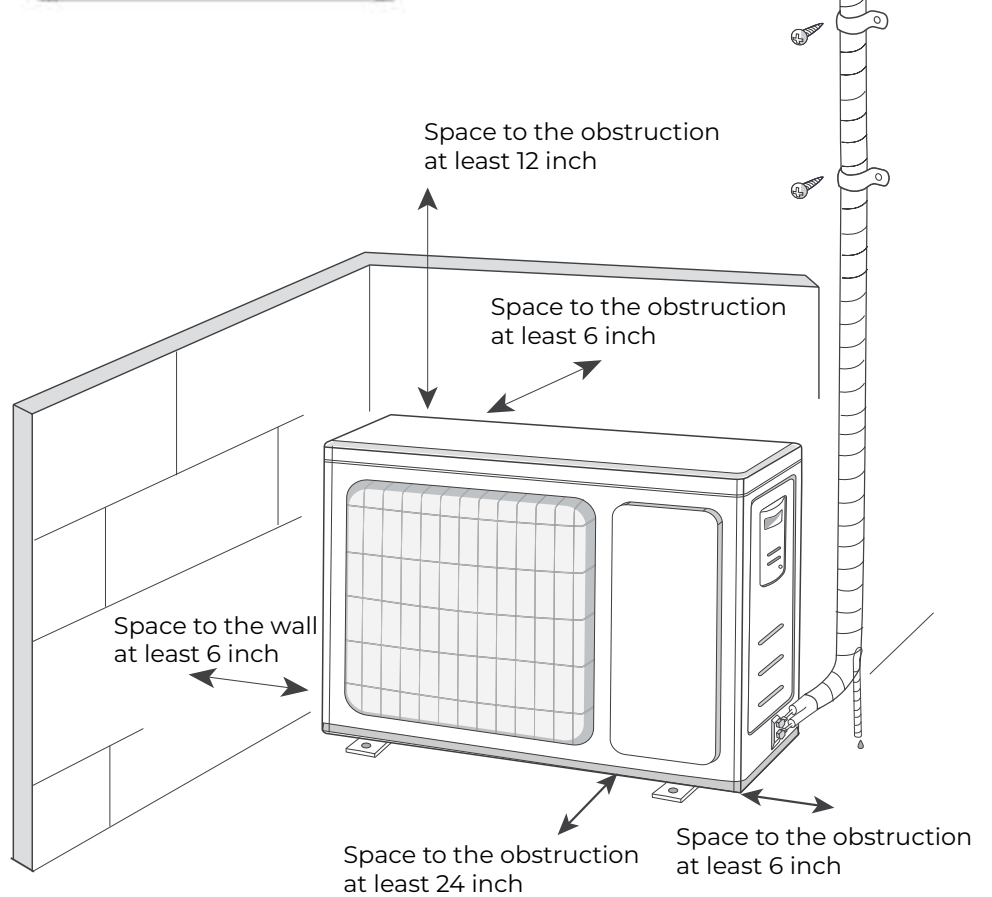


OUTDOOR UNIT

Minimum clearance



NOTE:
If bottom of the unit is free of airflow obstructions similar to the mounting bracket figure, the clearance to the wall on the back can be reduced to 3 inches.



Specifications are subject to change without notice. Manufacturer reserves the right to discontinue or modify specifications or designs without notice or without incurring obligations. All Rights reserved.